

PR5350 部品リスト

No.	図番	品名	Part Name	Qty	Remarks
K52	PR5350K209	MAIN-BODY-UNIT-2	MAIN-BODY-UNIT-2	1	
K53	PR5350K210	MAIN-UNIT-2	MAIN-UNIT-2	1	
1	344710-01	BAG-B-070	BAG-B-070	1	
2	E120001175	W28XQ1A3	W28XQ1A3	1	
3	E120001151	DE2L-FAAA	DE2L-FAAA	2	
4	E240000321	SUP-B3G-ER	SUP-B3G-ER	1	
5	E240000355	SFC-8	SFC-8	1	
6	E240000391	RFC-13	RFC-13	2	
7	E240000419	RFC-8	RFC-8	1	
8	E240000457	RFC-10	RFC-10	1	
9	E240000458	RFC-6	RFC-6	1	
10	E314000729	TLPI241(C5,F)	TLPI241(C5,F)	6	
11	E314000780	KI1220-NA02LF	KI1220-NA02LF	2	
12	E450001004	SQ-14	SQ-14	1	
13	E450001161	SFS-4S-B1WM	SFS-4S-B1WM	4	
14	E450001164	FGM-150-M3	FGM-150-M3	1	
15	E450001165	FGM-200-M3	FGM-200-M3	1	
16	E120001770	AJ7211BF	AJ7211BF	1	
17	E240000691	RFC-8BK	RFC-8BK	1	
18	E314000779	LG409LA3	LG409LA3	1	
19	E430001194	17-25SN	17-25SN	1	
20	PR5350P519	STG8-10L18	STG8-10L18	2	
50	PF2144P013	センサー 補材	SENSOR-HOLDER	1	
51	PF2147P021	PLY-18-RK	PLY-18-RK	2	
52	PF2147P032	FLNG-17-RK	FLNG-17-RK	5	
53	PF2185P009	GER-080-24	GER-080-24	2	
54	PF2185P460	SENY17-	SENY17-	1	
55	PF2198P003	PLY-S2M-56	PLY-S2M-56	1	
56	PF2205P008	GER-080-22-OW	GER-080-22-OW	1	
57	PF2210P054	PULLEY-G-IDOL-40-0.8	PULLEY-G-IDOL-40-0.8	2	
58	PF2215P004	GER-0.8-20-OW (G655)	GER-0.8-20-OW (G655)	2	
59	PF2225P025	ROLLER-P(READ12W)	ROLLER-P(READ12W)	2	
60	PF2252P938	FAN-2410ML-05W-B39	FAN-2410ML-05W-B39	2	
61	PF2254P141	MSW1/1-N	MSW-LEVER-N	2	
63	PF4051P025	GER-0.8-26	GER-0.8-26	3	
64	PF4051P034	GER-0.8-20	GER-0.8-20	4	
65	PF4088P153	PLY-S2M-20-MOT	PLY-S2M-20-MOT	1	
66	PR5002P204	リボン 7-1-1	RIBBON-PULLEY-1	1	
67	PR5002P208	リボン 7+7+7	RIBBON-CATCHER	2	
68	PR5002P225	リボン 7-7	HANDLE	1	
69	PR5002P236	リボン 7-7+7	RIBBON-CASE LOCK	1	
70	PR5002P237	リボン 7-1-2	RIBBON-PULLEY-2	1	
71	PR5002P248	リボン 7+7	CLOCK-DISK	2	
72	PR5002P255	リボン 7-60	BOBBIN-60	1	
73	PR5002P407	リボン 7+7	CATCHER-SPRING	4	
74	PR5002P414	リボン 7+7	RIBBON-COLLAR-SPRING	2	
75	PR5005P201	リボン 7-1-1	TURN-PLATE	1	
77	PR5100K038	ASM-LD RELAY 2	ASM-LD RELAY 2	1	
78	PR5100P083	CASSETTE-LEVER-PLATE	CASSETTE-LEVER-PLATE	1	
79	PR5100P202	GER-0.8-50	GER-0.8-50	4	
80	PR5100P220	PLY-S2M-16-70	PLY-S2M-16-70	1	
81	PR5100P242	CASSETTE-LEVER	CASSETTE-LEVER	1	
82	PR5100P244	CL-CHACK	CL-CHACK	1	

PR5350 部品リスト

No.	図番	品名	Part Name	Qty	Remarks
83	PR5100P245	PUSH-ROLLER	PUSH-ROLLER	6	
84	PR5200P226	PINCH-ROLLER	PINCH-ROLLER	4	
85	PR5200P410	PINCH-SPRING	PINCH-SPRING	6	
86	PR5300K011	ASM-AC1	ASM-AC1	1	
87	PR5300K018	ASM-1/L-SW	ASM-1/L-SW	1	
88	PR5300K019	ASM-SENSOR-A	ASM-SENSOR-A	1	
89	PR5300K029	MOT-DME37BF-1027	MOT-DME37BF-102-ASSY	1	
90	PR5300K030	MOT-KH42JM2-UNIT	MOT-KH42JM2-UNIT	3	K43と重複
91	PR5300K031	ASM-SENSOR RELAY	ASM-SENSOR RELAY	1	
92	PR5300K106	RBN-GEAR-BKT-ASSY	RBN-GEAR-BKT-ASSY	1	
93	PR5300K107	SLIDE-BKT-ASSY	SLIDE-BKT-ASSY	1	
94	PR5300K111	FT-PICK-MOT-ASSY	FT-PICK-MOT-ASSY	1	
95	PR5300K113	FT-PLT-R-ASSY	FT-PLT-R-ASSY	1	
96	PR5300K115	FT-STM-MOT-ASSY	FT-STM-MOT-ASSY	1	
97	PR5300K116	LEVER-SAFETY-ASSY	LEVER-SAFETY-ASSY	1	
98	PR5300K138	MOT-DME-37BB-UNIT	MOT-DME-37BB-UNIT	1	K44と重複
99	PR5300K165	FT-OW-UNIT	FT-OW-UNIT	1	K41と重複
100	PR5300P004	POWER-COVER	POWER-COVER	1	
101	PR5300P014	T-COV-PROTECT-BKT	T-COV-PROTECT-BKT	1	
102	PR5300P020	CL-SLIDE-GUIDE	CL-SLIDE-GUIDE	1	
103	PR5300P025	START-SEN-BKT	START-SEN-BKT	1	
104	PR5300P028	MOVE-GUIDE-BKT	MOVE-GUIDE-BKT	2	
105	PR5300P029	HEAD-FAN-BKT-1	HEAD-FAN-BKT-1	1	
106	PR5300P030	SEPARATION-PLATE	SEPARATION-PLATE	1	
107	PR5300P031	HEAD-OUTER-BKT	HEAD-OUTER-BKT	1	
108	PR5300P035	HEAD-PRESS-OUT-BKT	HEAD-PRESS-OUT-BKT	1	
109	PR5300P039	RBN-WIND-SEN-BKT	RBN-WIND-SEN-BKT	1	
110	PR5300P040	RBN-SENSOR-BKT-LOW	RBN-SENSOR-BKT-LOW	1	
111	PR5300P055	FT-FRAME-F	FT-FRAME-F	1	
112	PR5300P061	CAS-EARTH-PLATE	CAS-EARTH-PLATE	1	
113	PR5300P062	HEAD-HARNES-GUIDE	HEAD-HARNES-GUIDE	1	
114	PR5300P064	RBN-GEAR-INNER-BKT	RBN-GEAR-INNER-BKT	1	
115	PR5300P069	HEAD-SPACER	HEAD-SPACER	1.5	
116	PR5300P070	RBN-SENSOR-BKT-UP-2	RBN-SENSOR-BKT-UP-2	1	
117	PR5300P071	LEVER-SAFETY-BKT	LEVER-SAFETY-BKT	1	
118	PR5300P104	CL-JOINT-SUPPORT-BKT	CL-JOINT-SUPPORT-BKT	1	
119	PR5300P108	FT-TENSION-BKT	FT-TENSION-BKT	1	
120	PR5300P109	FT-PLT-STAY	FT-PLT-STAY	1	
121	PR5300P111	FT-SEN-BKT-1	FT-SEN-BKT-1	1	
122	PR5300P112	FT-SEN-BKT-2	FT-SEN-BKT-2	1	
123	PR5300P120	FT-POS-SEN-BKT	FT-POS-SEN-BKT	2	
124	PR5300P121	FT-WEIGHT-PLT	FT-WEIGHT-PLT	1	
125	PR5300P138	CVR-USB-CNT	CVR-USB-CNT	1	
126	PR5300P139	BKT-BOARD-USB	BKT-BOARD-USB	1	
127	PR5300P141	MAIN-SW-SUPPORT	MAIN-SW-SUPPORT	1	
128	PR5300P143	MAIN-BOARD-STAY	MAIN-BOARD-STAY	1	
129	PR5300P147	INT-LOCK-SW-BKT	INT-LOCK-SW-BKT	1	
130	PR5300P154	EXIT-HOOK-BKT	EXIT-HOOK-BKT	1	
131	PR5300P156	RBN-COV-INT-BKT	RBN-COV-INT-BKT	1	
132	PR5300P156	MOVE-GUIDE-PLATE	MOVE-GUIDE-PLATE	2	
133	PR5300P201	FRONT-COVER	FRONT-COVER	1	
134	PR5300P203	REAR-COVER	REAR-COVER	1	
135	PR5300P205	RIBBON-COVER	RIBBON-COVER	1	
136	PR5300P216	MAIN-SW-COVER	MAIN-SW-COVER	1	
137	PR5300P220	RIBBON-CASSETTE-UP	RIBBON-CASSETTE-UP	1	
138	PR5300P221	RIBBON-CASSETTE-LOW	RIBBON-CASSETTE-LOW	1	
139	PR5300P222	CL-SLIDE-TABLE	CL-SLIDE-TABLE	1	

PR5350 部品リスト

No.	図番	品名	Part Name	Qty	Remarks
140	PR5300P225	PINCH-GAP	PINCH-GAP	12	
141	PR5300P226	MOVE-GUIDE	MOVE-GUIDE	2	
142	PR5300P227	CARD-GUIDE	CARD-GUIDE	1	
143	PR5300P228	RIBBON-IDLE-ROLLER	RIBBON-IDLE-ROLLER	1	
144	PR5300P231	PRESS-UNIT-GUIDE	PRESS-UNIT-GUIDE	2	
145	PR5300P233	CAM-POSITION-PLY	CAM-POSITION-PLY	1	
146	PR5300P242	GEAR-1.0-28	GEAR-1.0-28	1	
147	PR5300P243	GEAR-1.0-14-0.8-56	GEAR-1.0-14-0.8-56	1	
148	PR5300P245	HEAD-INNER-BKT	HEAD-INNER-BKT	1	
149	PR5300P254	DUCT-FAN	DUCT-FAN	1	
150	PR5300P272	RBN-COVER-SWITCH	RBN-COVER-SWITCH	1	
151	PR5300P273	OPEANE-KEY	OPEANE-KEY	1	
152	PR5300P275	T-COV-PROTECTOR	T-COV-PROTECTOR	1	
153	PR5300P280	GER-0.8-28	GER-0.8-28	2	
154	PR5300P283	FT-PLT-F	FT-PLT-F	1	
155	PR5300P285	FT-PINCH-ROLLER	FT-PINCH-ROLLER	4	
156	PR5300P286	FT-PST-PLY	FT-PST-PLY	1	
157	PR5300P288	GER-0.8-50-20	GER-0.8-50-20	1	
158	PR5300P289	PLY-S2M-56-G-40	PLY-S2M-56-G-40	1	
159	PR5300P290	PLY-S2M-20-G-0.8-50	PLY-S2M-20-G-0.8-50	1	
160	PR5300P292	PLY-S2M-59-G-0.8-24	PLY-S2M-59-G-0.8-24	1	
161	PR5300P293	HEAD-PST-ROLLER	HEAD-PST-ROLLER	2	
162	PR5300P298	LEVER-SAFETY-COVER	LEVER-SAFETY-COVER	1	
163	PR5300P310	CL-SHAFT	CL-SHAFT	1	
164	PR5300P315	PINCH-SHAFT	PINCH-SHAFT	2	
165	PR5300P317	RIBBON-GUIDE-SHAFT	RIBBON-GUIDE-SHAFT	2	
166	PR5300P318	RIBBON-PINCH-SHAFT	RIBBON-PINCH-SHAFT	1	
167	PR5300P322	PUSH-ROLLER-SHAFT	PUSH-ROLLER-SHAFT	1	
168	PR5300P323	WIND-SHAFT	WIND-SHAFT	1	
169	PR5300P324	WIND-CONNECT-SHAFT	WIND-CONNECT-SHAFT	1	
170	PR5300P330	POSITION-ROL-SHAFT	POSITION-ROL-SHAFT	1	
171	PR5300P336	RBN-CAS-GUIDE	RBN-CAS-GUIDE	3	
172	PR5300P341	FT-WEIGHT-SHAFT	FT-WEIGHT-SHAFT	1	
173	PR5300P348	OW-SHAFT	OW-SHAFT	1	
174	PR5300P354	FT-TENSION-SHAFT	FT-TENSION-SHAFT	1	
175	PR5300P355	RBN-GUIDE-SHAFT-UP	RBN-GUIDE-SHAFT-UP	1	
176	PR5300P357	CAM-SHAFT-2	CAM-SHAFT-2	1	
177	PR5300P363	STD-SFG-HEAD	STD-SFG-HEAD	2	
178	PR5300P412	CL-ROLLER	CL-ROLLER	2	
179	PR5300P413	CAPSTAN-ROLLER-1	CAPSTAN-ROLLER-1	1	
180	PR5300P416	CAPSTAN-ROLLER-2	CAPSTAN-ROLLER-2	1	
181	PR5300P417	MOVE-GUIDE-SPRING	MOVE-GUIDE-SPRING	2	
182	PR5300P418	RIBBON-WIND-ROLLER	RIBBON-WIND-ROLLER	1	
183	PR5300P419	GEAR-1.0-40-OW	GEAR-1.0-40-OW	1	
184	PR5300P420	HEAD-REMOVE-SP	HEAD-REMOVE-SP	2	
185	PR5300P421	HEAD-SPRING	HEAD-SPRING	2	
186	PR5300P423	OTLC-6-2000C	OTLC-6-2000C	1	
187	PR5300P428	PRT-FEED-ROLLER	PRT-FEED-ROLLER	1	
188	PR5300P429	OW-BUSH	OW-BUSH	3	
189	PR5300P430	SUPPLY-ROLLER	SUPPLY-ROLLER	1	
190	PR5300P431	FT-ROLLER	FT-ROLLER	2	
191	PR5300P435	80B-0606	80B-0606	4	
192	PR5300P436	GEAR-0.8-52-TL500-OW	GEAR-0.8-52-TL500-OW	2	
193	PR5300P443	CL-SPRING	CL-SPRING	2	
194	PR5300P444	HEAD-POSITION-SP-2	HEAD-POSITION-SP-2	2	
195	PR5300P455	HEAD-FAN-FILTER	HEAD-FAN-FILTER	1	
196	PR5300P456	PROTECT-SPRING	PROTECT-SPRING	1	

PR5350 部品リスト

No.	図番	品名	Part Name	Qty	Remarks
197	PR5300P457	RBN-COV-SPRING	RBN-COV-SPRING	1	
198	PR5300P458	LINE-SEAL	LINE-SEAL	1	
199	PR5300P459	C-96-2	C-96-2	1	
200	PR5300P462	HEAD-CAUTION-LABEL	HEAD-CAUTION-LABEL	1	
201	PR5300P480	HEAD-PST-SP	HEAD-PST-SP	1	
202	PR5300P481	FT-TEN-SP	FT-TEN-SP	1	
203	PR5300P483	ラバーパッド	RUBBER CUSHION	3	
204	PR5300P484	R-COEVR-PAD-S	R-COEVR-PAD-S	2	
205	PR5300P485	R-COEVR-PAD-L	R-COEVR-PAD-L	2	
206	PR5300P487	HEAD-SHEET	HEAD-SHEET	1	
207	PR5300P488	STOPPER-MOVE-GUIDE	STOPPER-MOVE-GUIDE	1	
208	PR5300P489	R-MLE0508	R-MLE0508	2	
209	PR5300P490	CL-BRUSH-3T	CL-BRUSH-3T	1	
210	PR5300P551	BVCS203SR	BVCS203SR	1	
211	PR5302P413	OTLC6-100A	OTLC6-100A	1	
214	PR5302P427	HR-TNS-SPR	HR-TNS-SPR	1	
215	PR5310P002	BKT-IC-RW-FRAME	BKT-IC-RW-FRAME	2	
216	PR5310P007	IC-CONNECTOR-BKT	IC-CONNECTOR-BKT	1	
217	PR5310P010	RBN-CAS-GUIDE-M	RBN-CAS-GUIDE-M	1	
218	PR5350K002	PBA-MAIN	PBA-MAIN	1	
219	PR5350K004	PBA-OPEPANE	PBA-OPEPANE	1	
220	PR5350K005	ASM-SENSOR-B	ASM-SENSOR-B	1	
221	PR5350K006	ASM-MOTOR	ASM-MOTOR	1	
222	PR5350K007	ASM-HEAD	ASM-HEAD	1	
223	PR5350K008	ASM-OPERATION	ASM-OPERATION	1	
224	PR5350K009	ASM-DC	ASM-DC	1	
225	PR5350K010	ASM-POW-DC	ASM-POW-DC	1	
226	PR5350K011	ASM-AC2	ASM-AC2	1	
227	PR5350K012	ASM-RW-POWER	ASM-RW-POWER	1	
228	PR5350K013	ASM-PC-RW	ASM-PC-RW	1	
229	PR5350K015	ASM-SENSOR-C	ASM-SENSOR-C	1	
230	PR5350K016	PBA-IF-USB	PBA-IF-USB	1	
231	PR5350K017	ASM-FGND	ASM-FGND	1	
238	PR5350P001	BKT-PLT-MOT	BKT-PLT-MOT	1	
239	PR5350P002	PLT-PRT-MOT	PLT-PRT-MOT	1	
240	PR5350P003	BKT-PRT-MOT-IN	BKT-PRT-MOT-IN	1	
241	PR5350P004	BKT-BRAKE	BKT-BRAKE	1	
242	PR5350P006	SPACER-SEPARATION	SPACER-SEPARATION	1	
243	PR5350P012	BKT-STAY-CLAMP	BKT-STAY-CLAMP	1	
254	PR5350P200	PLY-S2M-22-60	PLY-S2M-22-60	1	
255	PR5350P201	PLY-S2M-43	PLY-S2M-43	1	
256	PR5350P202	HEAD-CAM	HEAD-CAM	2	
257	PR5350P205	IC-CARD-GID	IC-CARD-GID	2	
258	PR5350P210	TOP-COVER-5350	TOP-COVER-5350	1	
259	PR5350P212	RIGHT-COVER-5350	RIGHT-COVER-5350	1	
260	PR5350P220	LEFT-COVER-5350	LEFT-COVER-5350	1	
261	PR5350P284	OPERATION-PANEL-5350	OPERATION-PANEL-5350	1	
263	PR5350P300	SFT-PRT-IDL	SFT-PRT-IDL	1	
264	PR5350P301	SFT-HEAD-PST-ROL-LOW	SFT-HEAD-PST-ROL-LOW	1	
265	PR5350P302	SFT-BRAKE	SFT-BRAKE	1	
266	PR5350P303	SFT-BRAKE-2	SFT-BRAKE-2	1	
267	PR5350P304	SFT-BRAKE-3	SFT-BRAKE-3	1	
272	PR5350P400	ROL-PLATEN	ROL-PLATEN	1	
273	PR5350P401	SP-T-100-464-21120	SP-T-100-464-21120	1	
274	PR5350P517	PWS-RPS-4440	PWS-RPS-4440	1	
276	PR5350K045	PBA-RIBBON-LD	PBA-RIBBON-LD	1	
277	PR5350K046	PBA-RIBBON-PT	PBA-RIBBON-PT	1	

# PR5350 部品リスト

No.	図番	品名	Part Name	Qty	Remarks
278	PR5500K050	PBA-SENSOR	PBA-SENSOR	1	
279	PR5500P156	PLT-GAP-CLNG	PLT-GAP-CLNG	4	
280	PR5500P353	STD-SFG-CLNG	STD-SFG-CLNG	2	
281	PR5500P455	ROL-FEED-CLNG	ROL-FEED-CLNG	2	
282	PR5500P867	TOL-OTLC6-500B	TOL-OTLC6-500B	1	
283	PR5300K101	FRONT-FRAME-ASSY	FRONT-FRAME-ASSY	1	
284	PR5300K102	REAR-FRAME-ASSY	REAR-FRAME-ASSY	1	
285	PR5300K182	WEIGHT UNIT	WEIGHT UNIT	1	
286	PR5300P001	BASE-FRAME	BASE-FRAME	1	
287	PR5300P009	SUPPLY-STAY	SUPPLY-STAY	1	
288	PR5300P012	SEPARATE-LOCK	SEPARATE-LOCK	1	
289	PR5300P044	REJECT-GUIDE	REJECT-GUIDE	1	
290	PR5300P045	REJECT-UNIT-GUIDE	REJECT-UNIT-GUIDE	1	
291	PR5300P067	REJECT-GUIDE-2	REJECT-GUIDE-2	1	
292	PR5300P207	SEPARATE-GATE	SEPARATE-GATE	1	
293	PR5300P400	TM166-8	TM166-8	5	
294	PR5300P495	E01S21-3	E01S21-3	1	
295	PR5350K014	ASM-EN-RELAY	ASM-EN-RELAY	1	
296	PR5350P203	CARD-SET-COVER-5350	CARD-SET-COVER-5350	1	
297	PR5350P219	HOPPER-5350	HOPPER-5350	1	
298	PR5350P228	EXIT-BOX-5350	EXIT-BOX-5350	1	

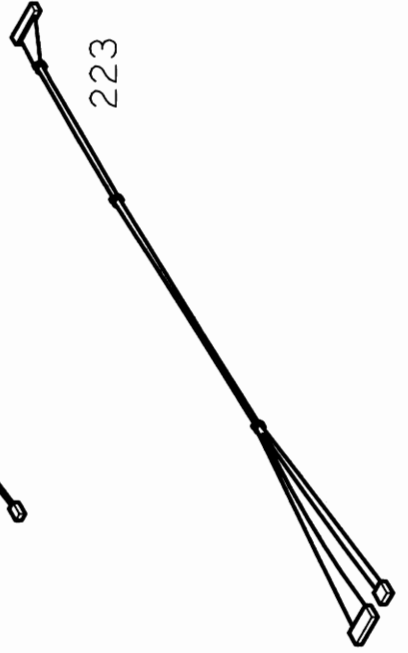
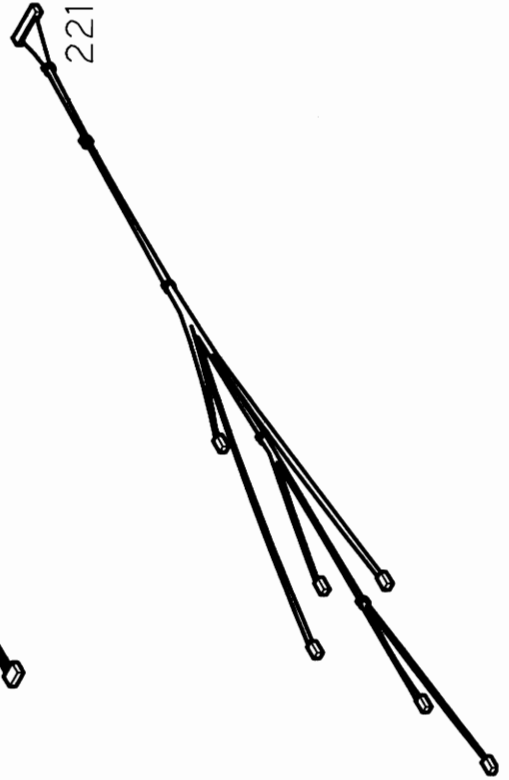
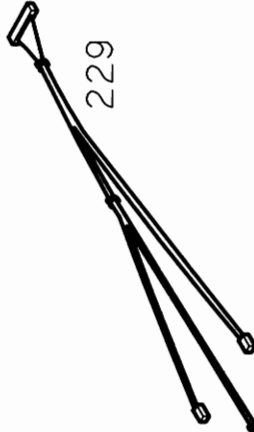
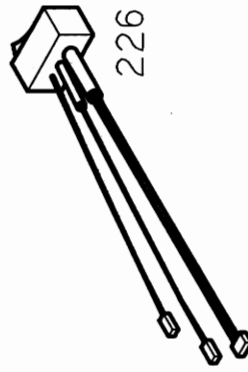
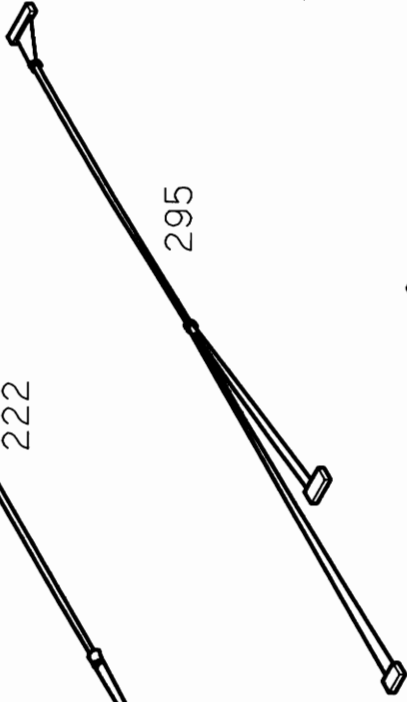
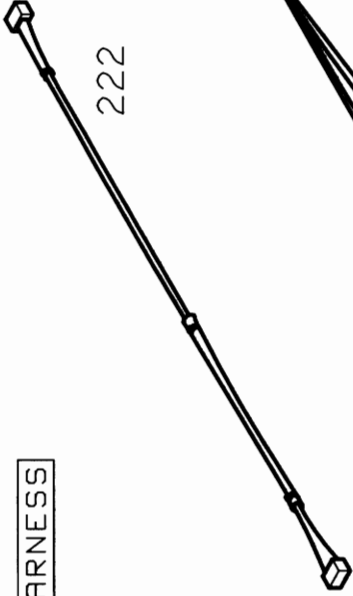
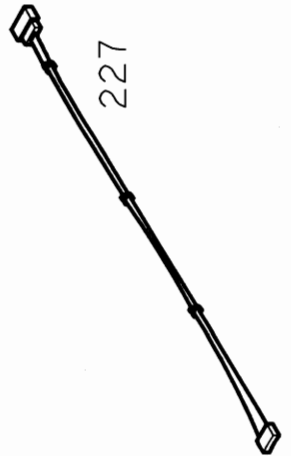
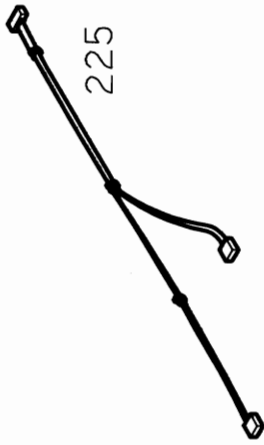
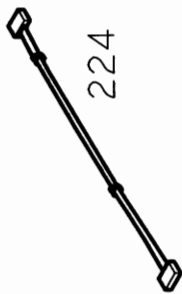
PR5350 部品リスト

No.	図番	品名	Part Name	Qty	Remarks
S1	020100FWWS	SCR-020-100WWS	SCR-020-100WWS	2	
S3	030050FVNB	SCR-030-050WNB	SCR-030-050WNB	1	
S4	030060FNBI	SCR-030-060	SCR-030-060	3	
S5	030060FNWS	SCR-030-060NWS	SCR-030-060NWS	25	
S6	030060FPWP	SCR-030-060PWP	SCR-030-060PWP	2	
S7	030060FWSA	SCR-030-060WSA	SCR-030-060WSA	2	
S8	030060FWTP	SCR-030-060WTP	SCR-030-060WTP	26	
S9	030060FWTW	SCR-030-060WTW	SCR-030-060WTW	8	
S10	030060FWWS	SCR03M060-WS-W	SCR03M060-WS-W	53	
S12	030080FWBB	SCR-030-080WBB	SCR-030-080WBB	6	
S14	030080FWNS	SCR-030-080	SCR-030-080	1	
S15	030080FWWS	SCR030080FWWS	SCR030080FWWS	5	
S16	030100FWBB	M3X10	M3X10	3	
S17	030100FWBI	SCR-030-100	SCR-030-100	1	
S18	040080FNBI	SCR-040-080NBI	SCR-040-080NBI	16	
S19	040120FNBI	SCR-040-120	SCR-040-120	1	
S20	040300FWWS	SCR040300WS	SCR040300WS	4	
S21	NS-SCR00025A	SCR03T080WAVE-D	SCR03T080WAVE-D	6	
S22	NS-SCR00045A	SCR04T070SR-W	SCR04T070SR-W	4	
S23	NS-SCR00201A	SCR03M025-D040014	SCR03M025-D040014	2	
S24	NS-SCR00206A	SCR03M030-D040022	SCR03M030-D040022	4	
S25	NS-SCR00221A	SCR04T060-D050050-W	SCR04T060-D050050-W	2	
S28	030060FWBI	SCR030060FWBI	SCR030060FWBI	1	
S29	030120FWWS	SCR-030-120	SCR-030-120	2	
S30	NS-SCR00016A	SCR03T060SR-W	SCR03T060SR-W	22	
R1	ER030SKP	ER-030	ER-030	13	
R2	ER040SKP	ER-040	ER-040	21	
R3	ER050SKP	ER-050	ER-050	29	
R4	NS-CLP0003A	CLIP040100G	CLIP040100G	6	
R5	NS-CLP00007A	CLIP050140B	CLIP050140B	40	
T2	NS-BLT00064A	BELTS2M071040	BELTS2M071040	1	
T3	NS-BLT00065A	BELTS2M071060	BELTS2M071060	1	
T4	NS-BLT00068A	BELTS2M076040	BELTS2M076040	1	
T5	NS-BLT00071A	BELTS2M080040	BELTS2M080040	1	
T6	NS-BLT00074A	BELTS2M083040	BELTS2M083040	1	
T7	NS-BLT00076A	BELTS2M084040	BELTS2M084040	1	
T8	NS-BLT00083A	BELTS2M093040	BELTS2M093040	1	
T9	NS-BLT00094A	BELTS2M115040	BELTS2M115040	1	
B1	NS-BSH00002A	BUSH060060MYU	BUSH060060MYU	11	
B2	NS-BSH00004A	BUSH080070MYU	BUSH080070MYU	3	
B4	NS-MTL00009B	METAL060060FC	METAL060060FC	18	
B5	NS-BRG00043A	BEARINGRB060100F	BEARINGRB060100F	2	
B6	NS-BRG00067A	BEARINGRB060130F	BEARINGRB060130F	2	
C1	CL030016FW	CL-030	CL-030	3	
P1	HP020100SCH	HP-020	HP-020	10	
P3	HP030280SCH	HP3*28	HP3*28	2	
P4	SP02010S-B	SFT-020-100SP-B	SFT-020-100SP-B	16	

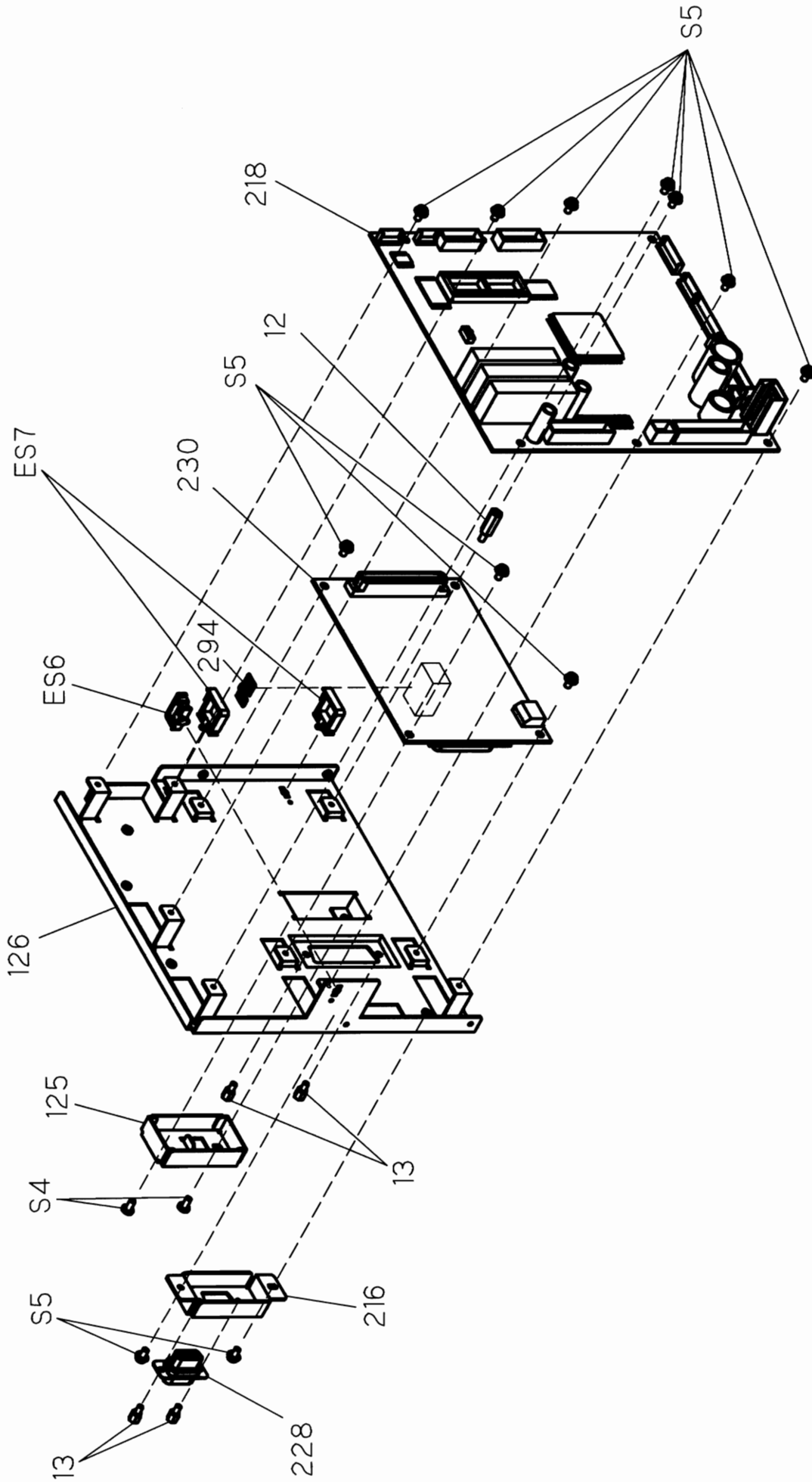
PR5350 部品リスト

No.	図番	品名	Part Name	Qty	Remarks
P5	SP02012FPA	SP-020	SP-020	5	
E1	E450000005	SKB-1M	SKB-1M	5	
E2	E450000566	EDS-1717U	EDS-1717U	3	
E3	E450000696	EDS-1208U	EDS-1208U	3	
E5	E450001134	RLWS-2T V0	RLWS-2T V0	5	
E6	E450001139	RLWS-1T V0	RLWS-1T V0	11	
E7	E450001140	RLWS-3T V0	RLWS-3T V0	4	
E8	E450001146	RLMC-01T V0	RLMC-01T V0	6	
E9	E450001148	RLMC-05T V0	RLMC-05T V0	9	
E10	E450001163	RLWS-1015T	RLWS-1015T	5	
K3	PR5350K193	UNIT-MAIN-BOARD-USB	UNIT-MAIN-BOARD-USB	1	
K4	PR5350K174	MAIN-BOARD-STAY-UNIT	MAIN-BOARD-STAY-UNIT	1	
K5	PR5350K162	POWER-UNIT	POWER-UNIT	1	
K6	PR5350K218	UNIT-RBN-MOT	UNIT-RBN-MOT	1	
K7	PR5300K152	FT-PICK-MOT-UNIT	FT-PICK-MOT-UNIT	1	
K8	PR5300K149	FT-STM-MOT-UNIT	FT-STM-MOT-UNIT	1	
K11	PR5350K163	MAIN-SW-SPT-UNIT	MAIN-SW-SPT-UNIT	1	
K12	PR5350K215	UNIT-PRT-MOT	UNIT-PRT-MOT	1	
K13	PR5300K125	PINCH-ROLLER-UNIT	PINCH-ROLLER-UNIT	2	
K14	PR5350K096	BRAKE-UNIT-5350	BRAKE-UNIT-5350	1	
K15	PR5300K169	HEAD-PRESS-UNIT	HEAD-PRESS-UNIT	1	
K16	PR5300K176	EXIT-HOOK-BKT-UNIT	EXIT-HOOK-BKT-UNIT	1	
K17	PR5300K146	FT-PLT-UNIT	FT-PLT-UNIT	1	
K20	PR5500K569	UNIT-CLNG	UNIT-CLNG	1	
K21	PR5350K165	HEAD-UNIT	HEAD-UNIT	1	
K23	PR5350K136	CAM-SHAFT-UNIT	CAM-SHAFT-UNIT	1	
K24	PR5300K126	PF-PINCH-ROLLER-UNIT	PF-PINCH-ROLLER-UNIT	1	
K25	PR5300K129	START-SEN-UNIT	START-SEN-UNIT	1	
K26	PR5300K145	FT-SEN-BKT-2-UNIT	FT-SEN-BKT-2-UNIT	1	
K27	PR5300K185	FT-SEN-BKT-1-2-UNIT	FT-SEN-BKT-1-2-UNIT	2	
K28	PR5300K135	FAN-TUDC24Y45-UNIT	FAN-TUDC24Y45-UNIT	1	
K29	PR5350K149	FT-POS-SEN-UNIT	FT-POS-SEN-UNIT	1	
K30	PR5350K148	FT-FRAME-F-SEN-UNIT	FT-FRAME-F-SEN-UNIT	1	
K31	PR5300K170	MOVE-GUIDE-UNIT	MOVE-GUIDE-UNIT	3	
K32	PR5300K209	UNIT-MOVE-GUIDE-2	UNIT-MOVE-GUIDE-2	1	
K33	PR5300K175	RBN-COV-INT-SW-UNIT	RBN-COV-INT-SW-UNIT	1	
K34	PR5300K168	INT-LOCK-SW-UNIT	INT-LOCK-SW-UNIT	1	
K35	PR5350K173	RBN-WIND-SEN-UNIT	RBN-WIND-SEN-UNIT	1	
K36	PR5350K130	RBN-SEN-LOW-UNIT	RBN-SEN-LOW-UNIT	1	
K37	PR5350K199	RBN-SEN-UP-UNIT-2	RBN-SEN-UP-UNIT-2	1	
K39	PR5300K139	WIND-CONNECT-UNIT	WIND-CONNECT-UNIT	1	
K40	PR5300K171	WIND-SHAFT-UNIT	WIND-SHAFT-UNIT	1	
K41	PR5300K165	FT-OW-UNIT	FT-OW-UNIT	1	
K42	PR5300K153	FT-TENSION-UNIT	FT-TENSION-UNIT	1	
K43	PR5300K030	MOT-KH42JM2-UNIT	MOT-KH42JM2-UNIT	3	
K44	PR5300K138	MOT-DME-37BB-UNIT	MOT-DME-37BB-UNIT	1	
K45	PR5300K143	SUPPLY-SENSOR-UNIT	SUPPLY-SENSOR-UNIT	1	
K46	PR5350K159	REJECT-FRAME-UNIT	REJECT-FRAME-UNIT	1	
K47	PR5350K097	BKT-UNIT-ENCD	BKT-UNIT-ENCD	1	
K48	PR5350K167	HOPPER-UNIT-5350	HOPPER-UNIT-5350	1	
K49	PR5350K179	FRONT-COVER-UNIT	FRONT-COVER-UNIT	1	
K50	PR5350K180	RIGHT-CVR-UNIT-5350	RIGHT-CVR-UNIT-5350	1	
K51	PR5350K197	BRAKE-SFT-UNIT-5350	BRAKE-SFT-UNIT-5350	1	

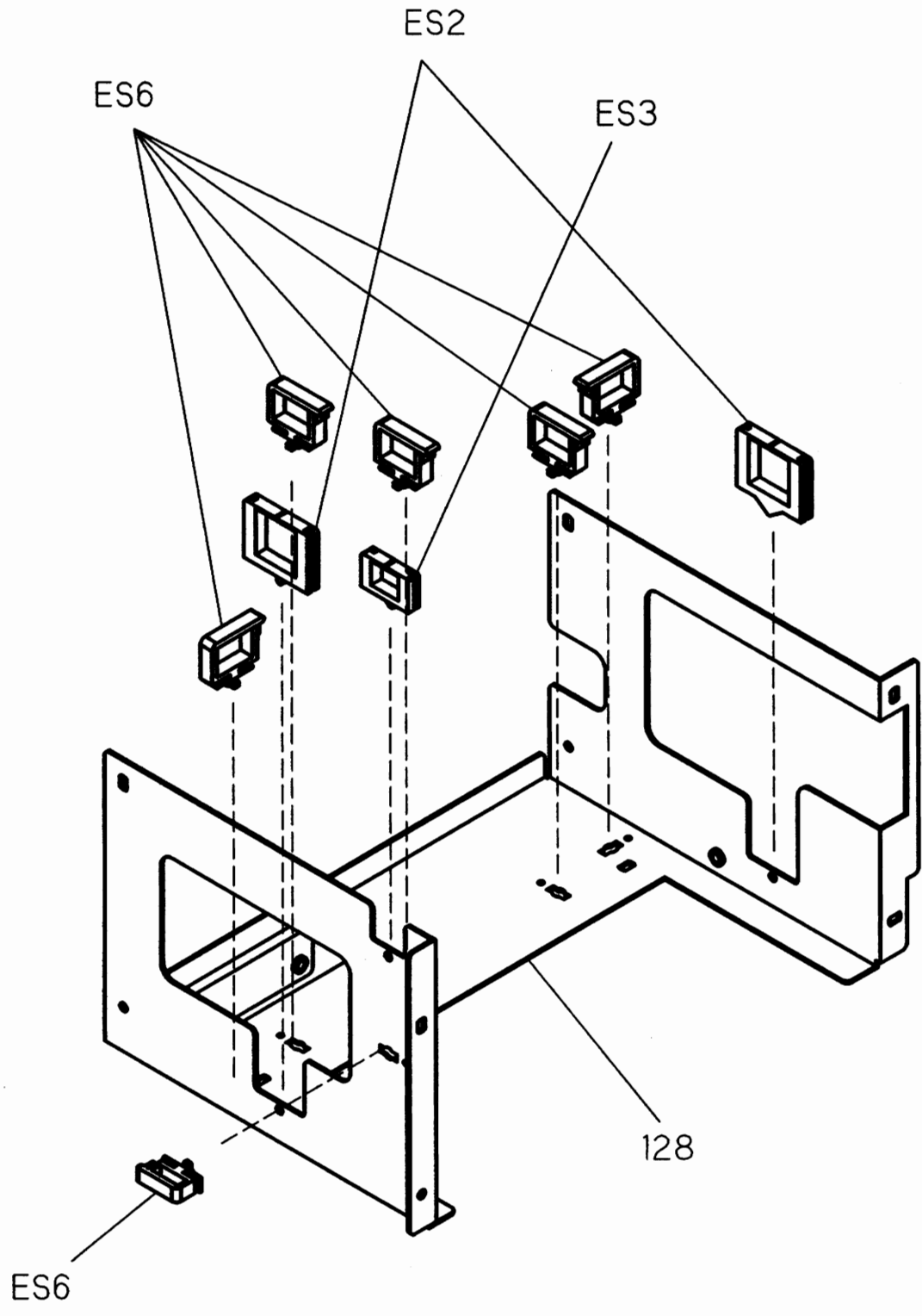
HARNESSES



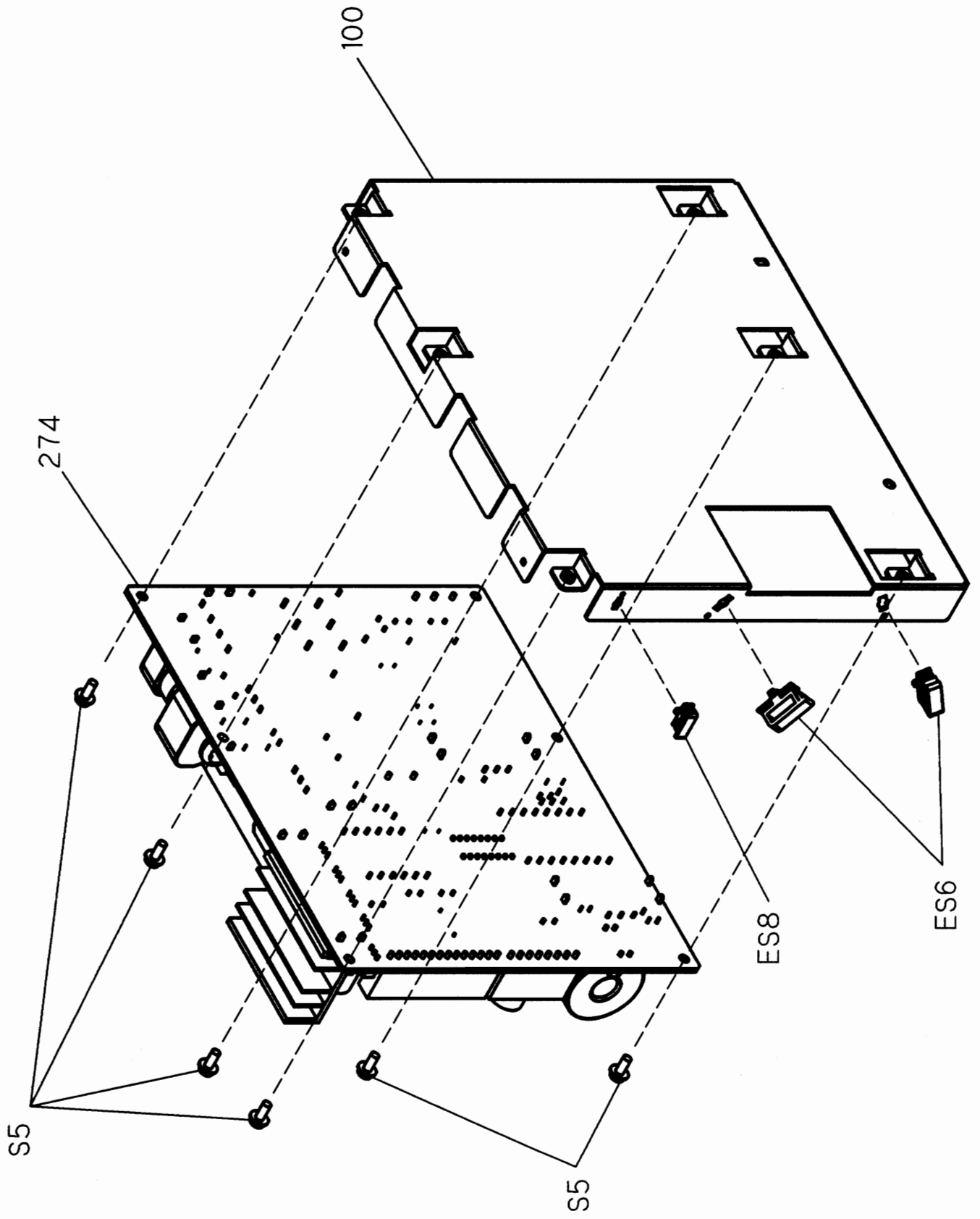
K3



K4

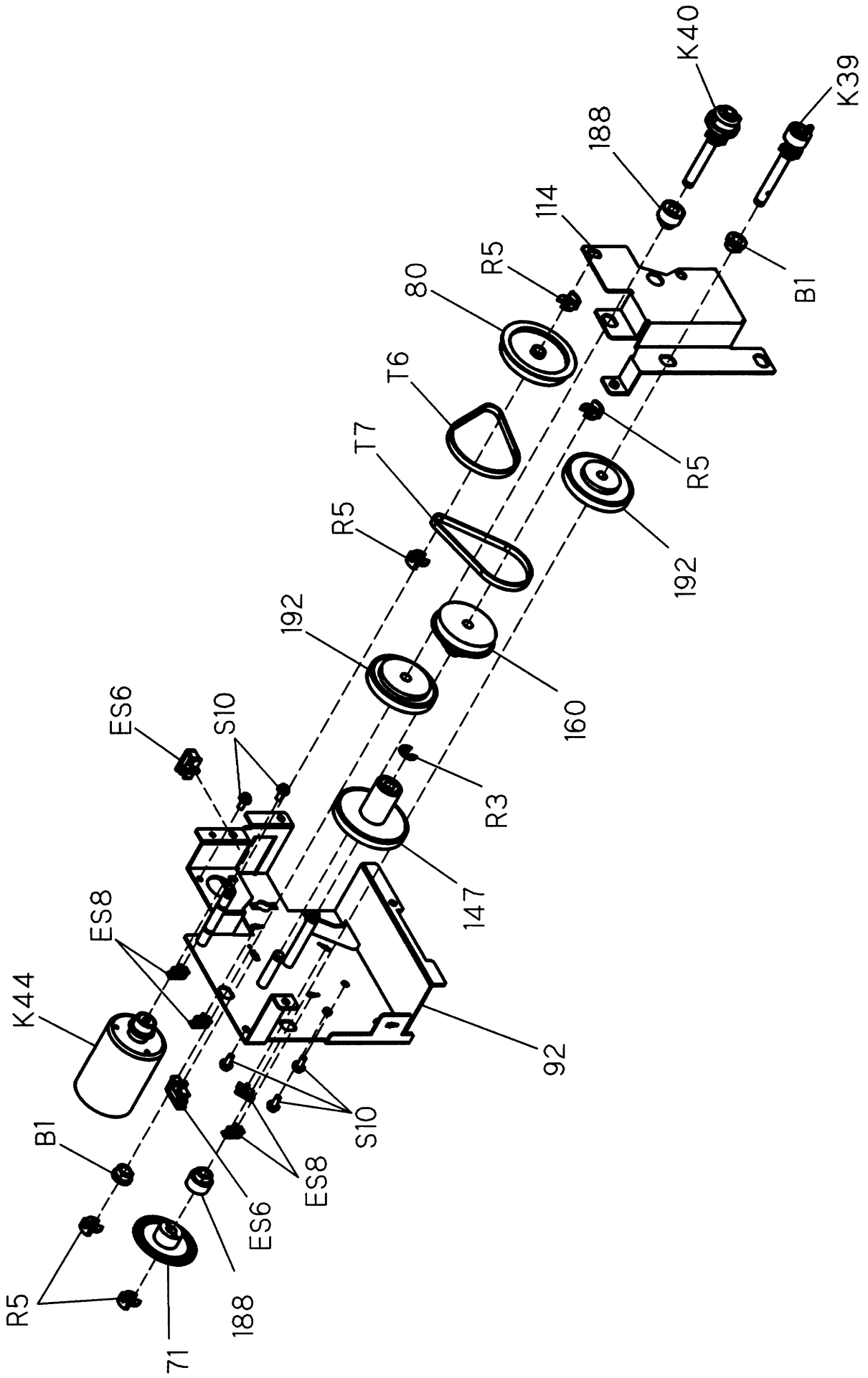


K5

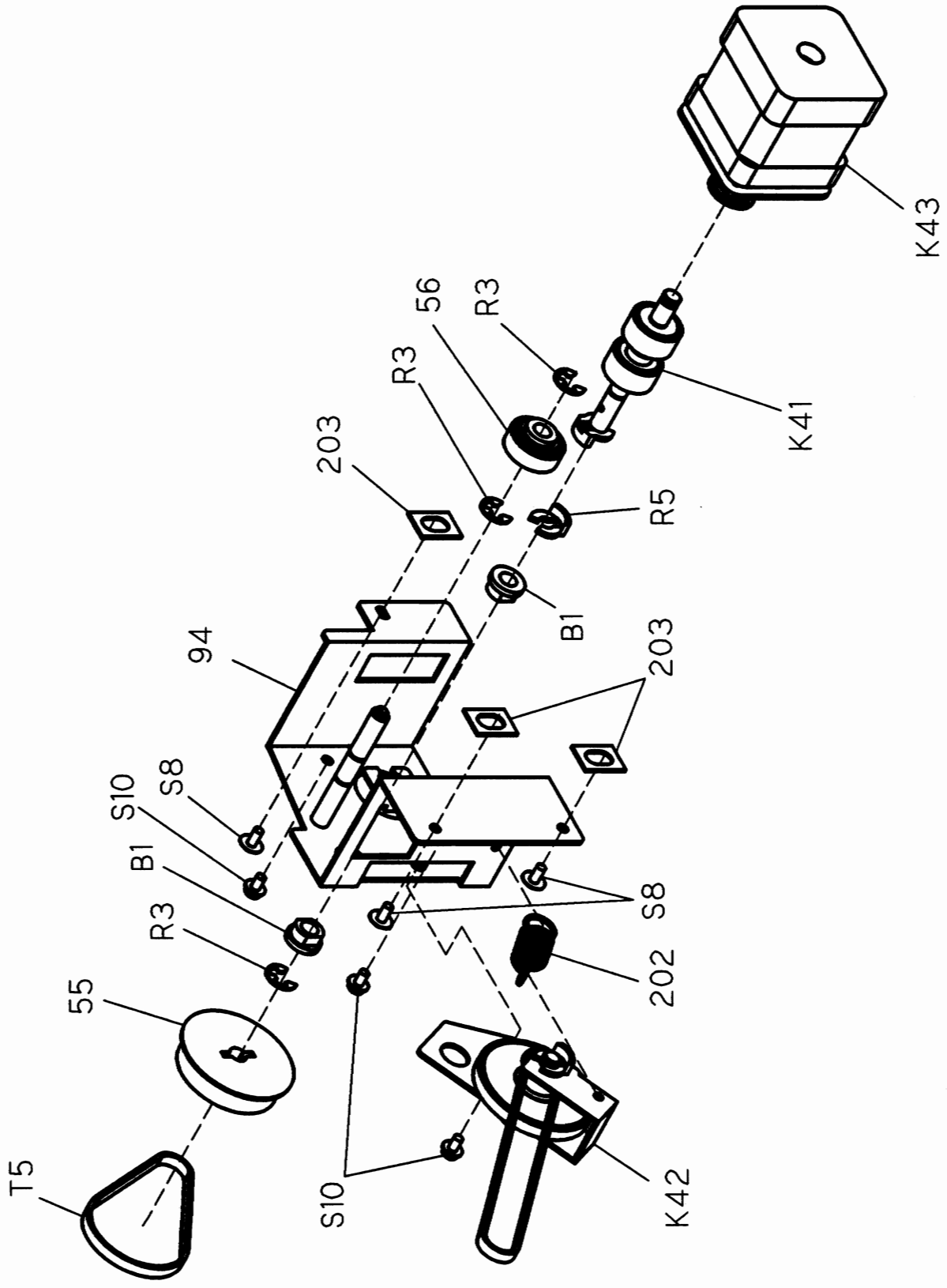




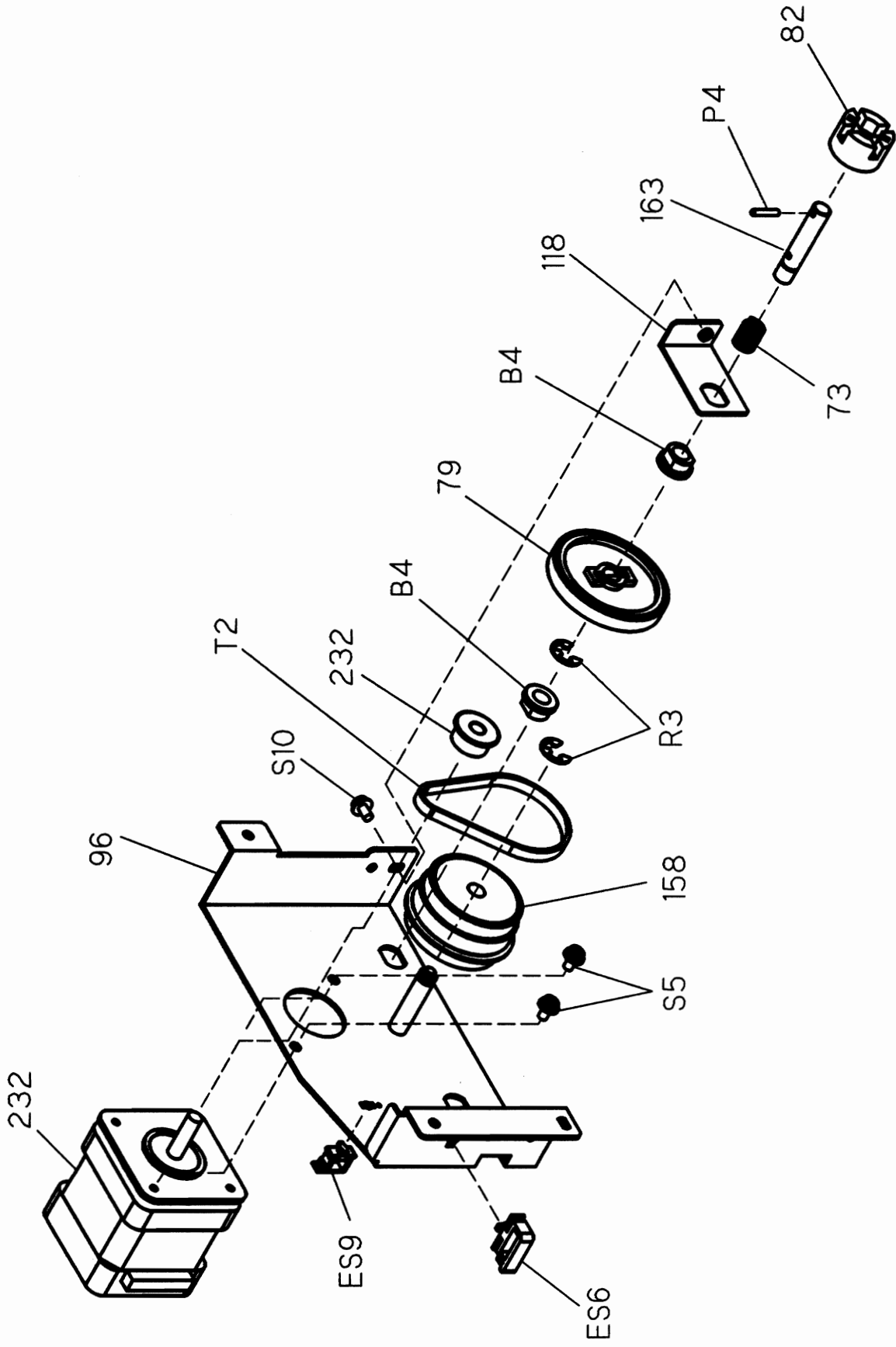
K6



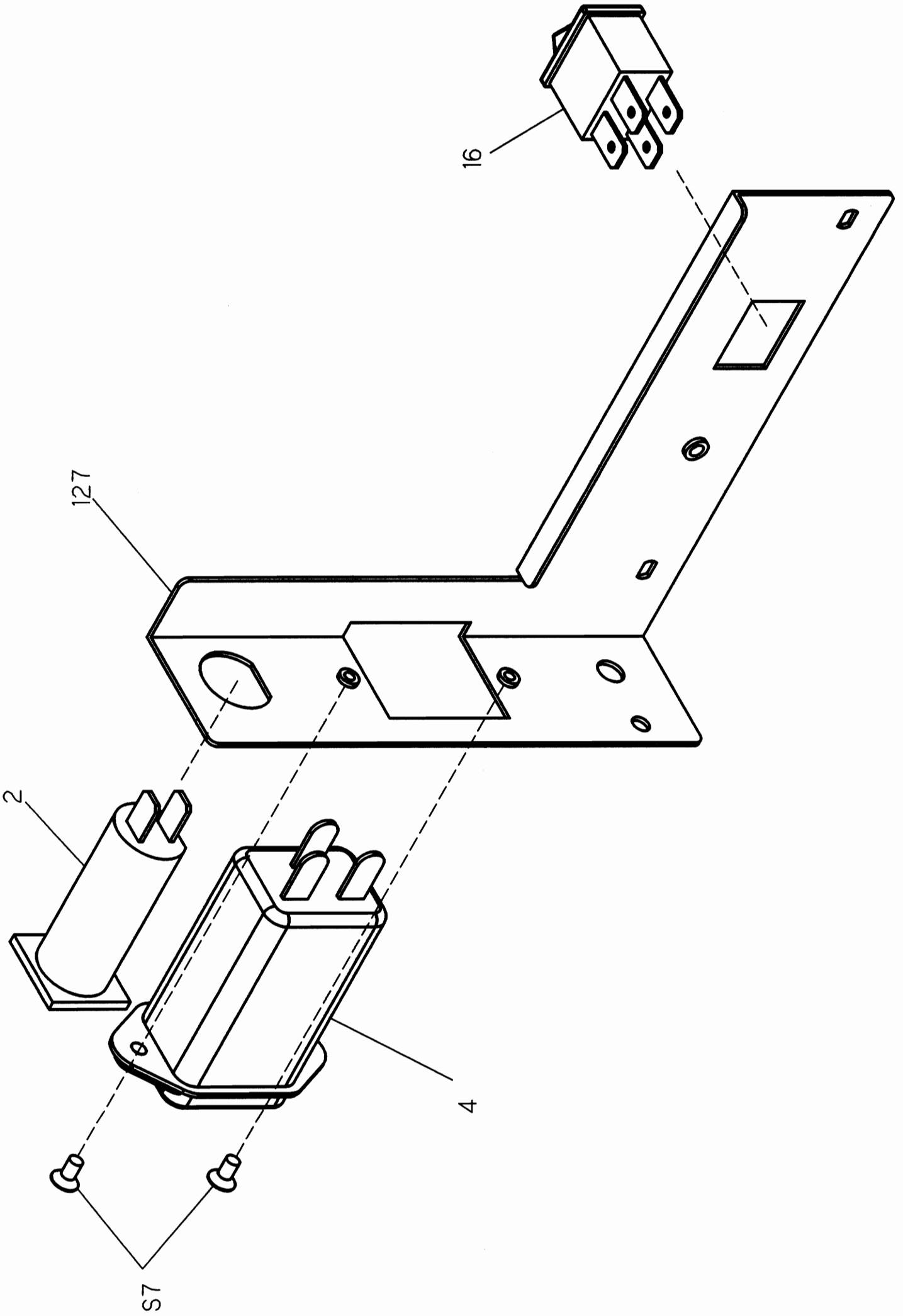
K7



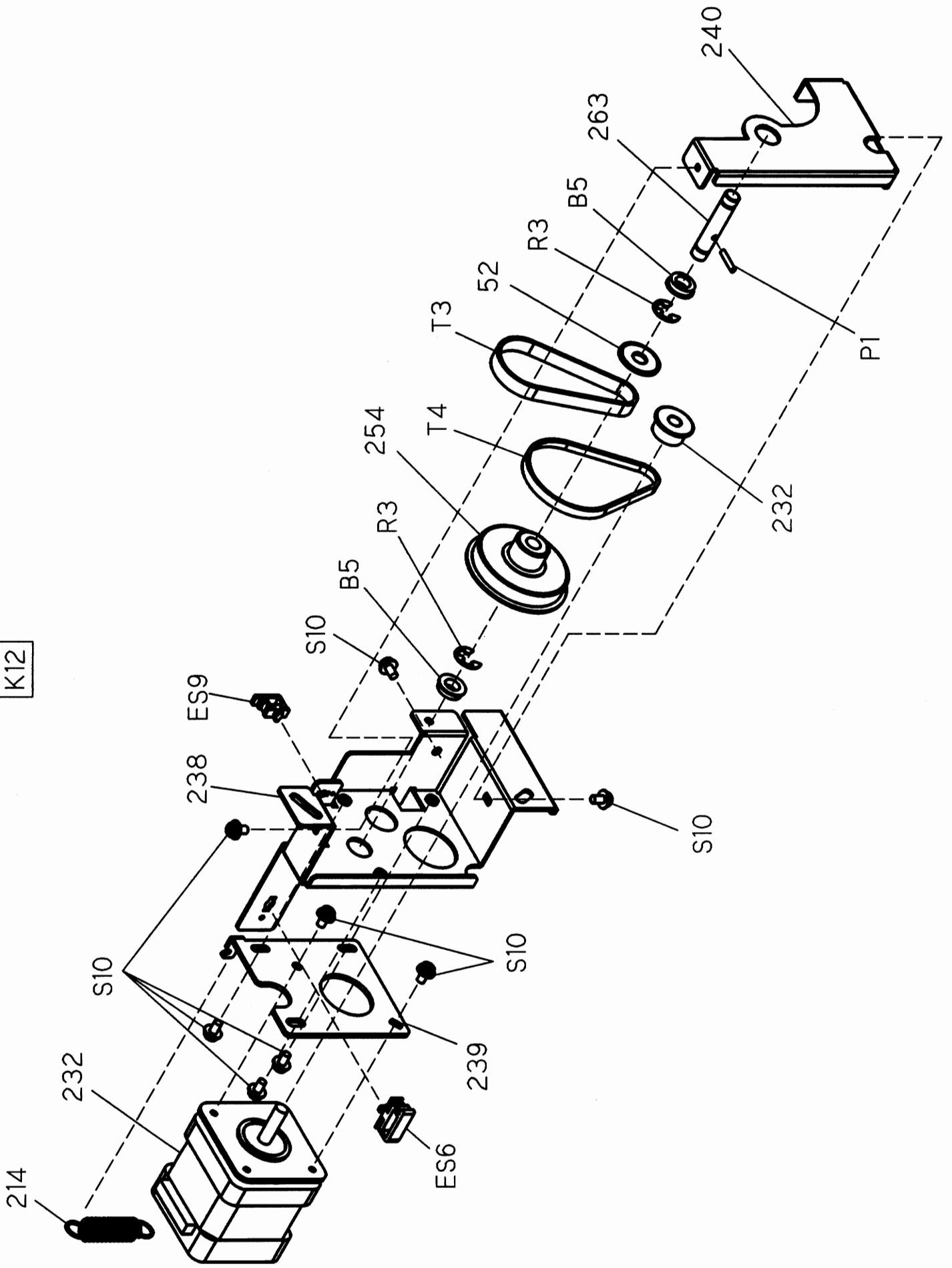
K8



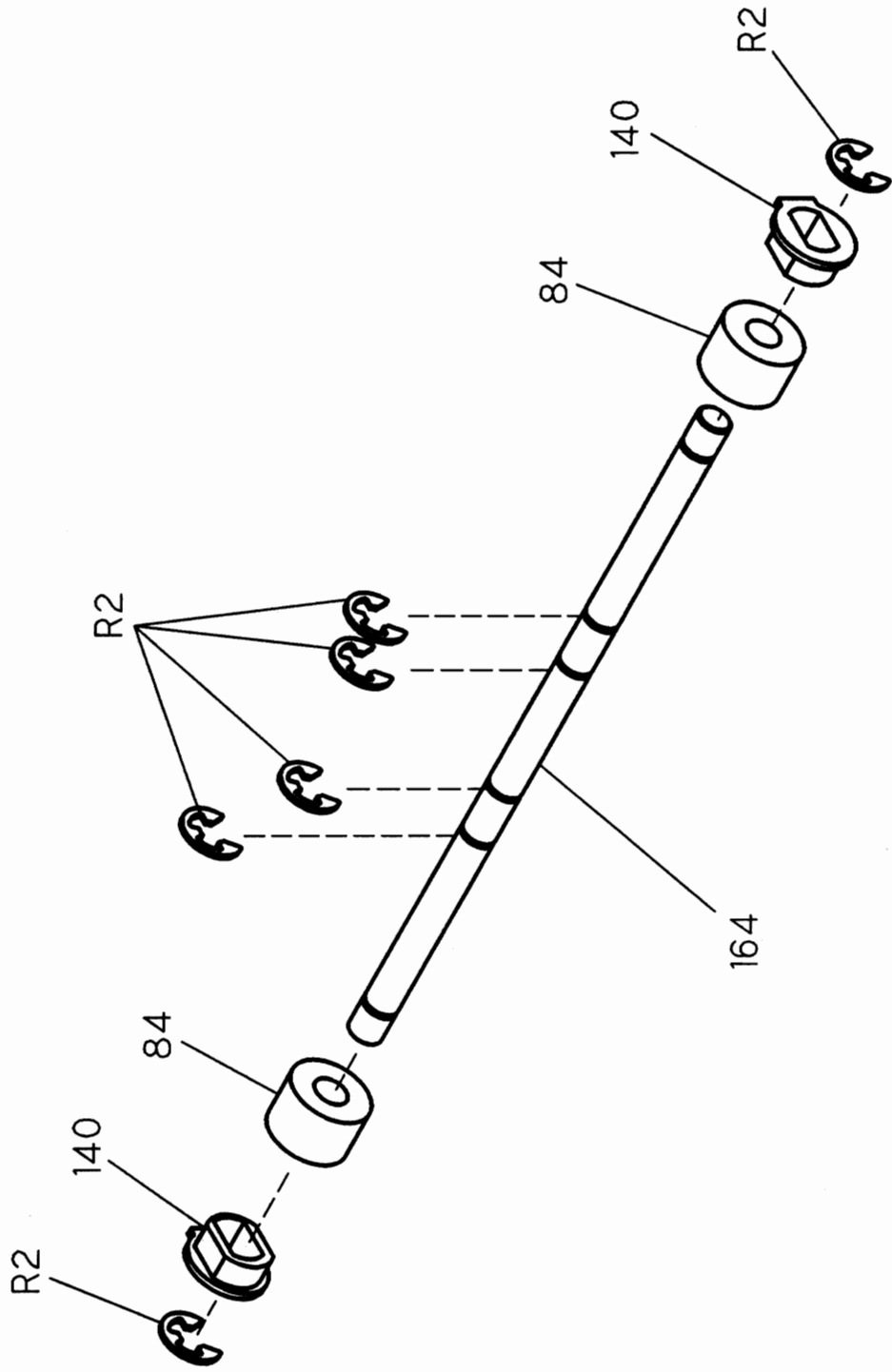
K11



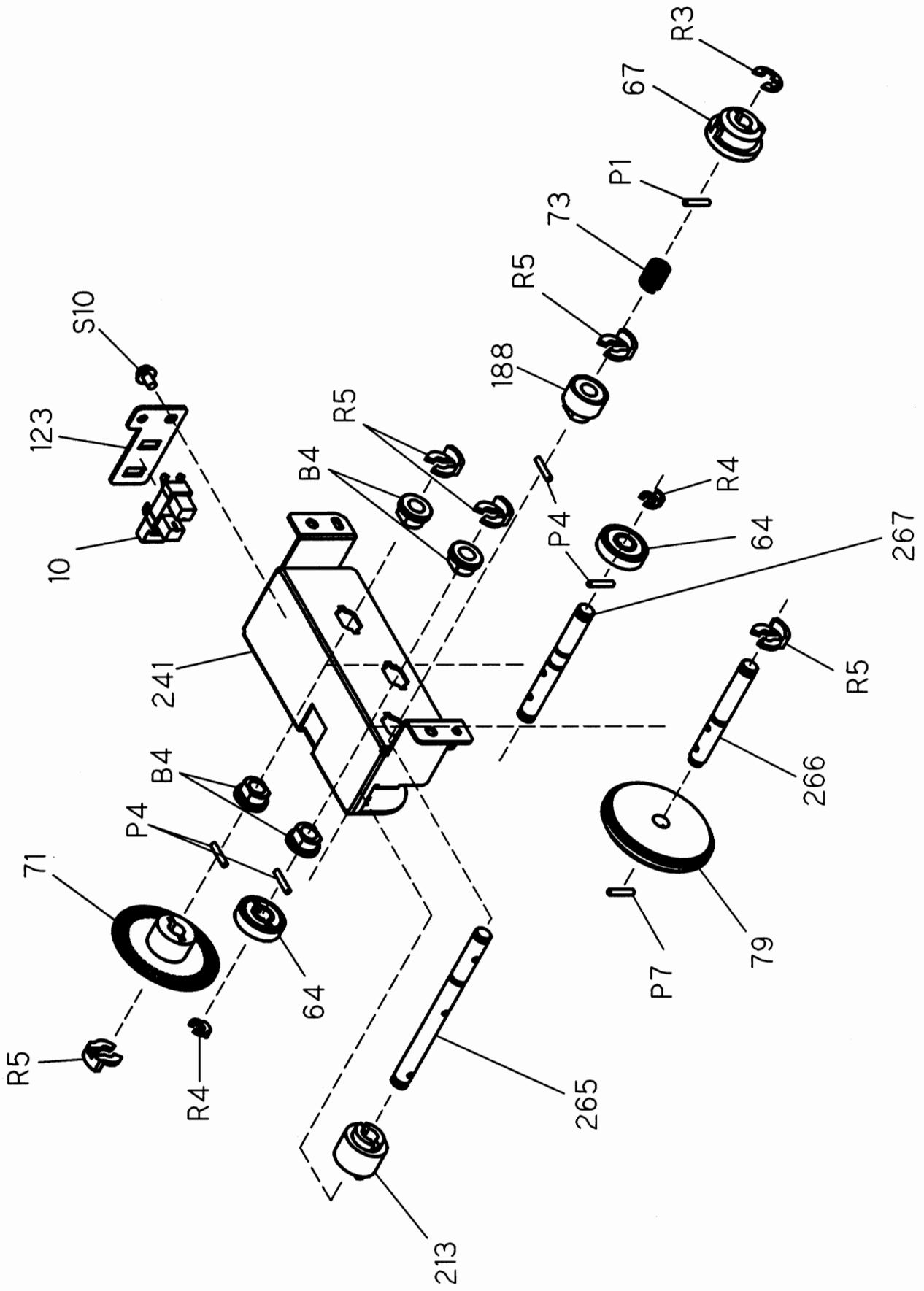
K12



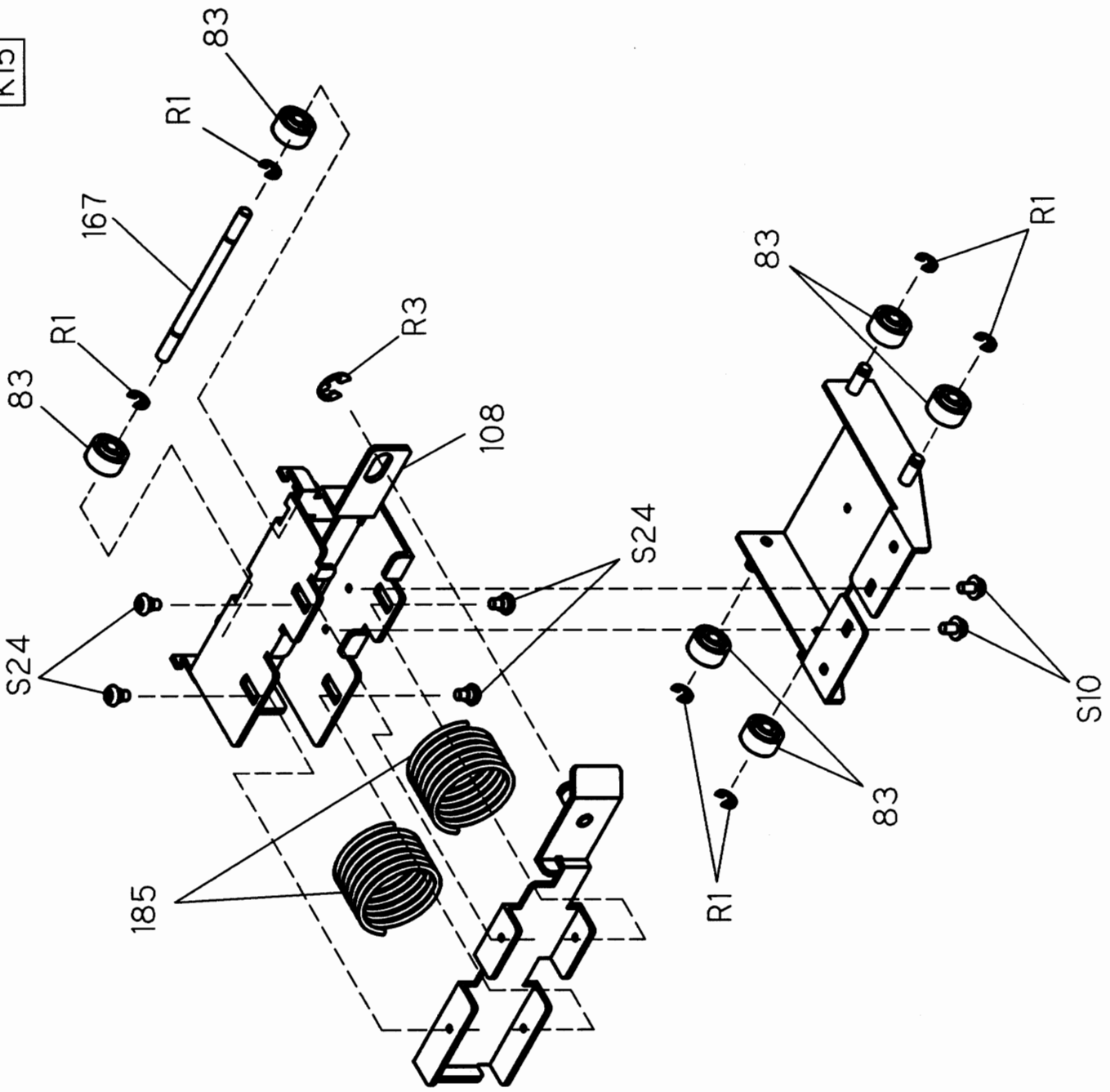
K13



K14

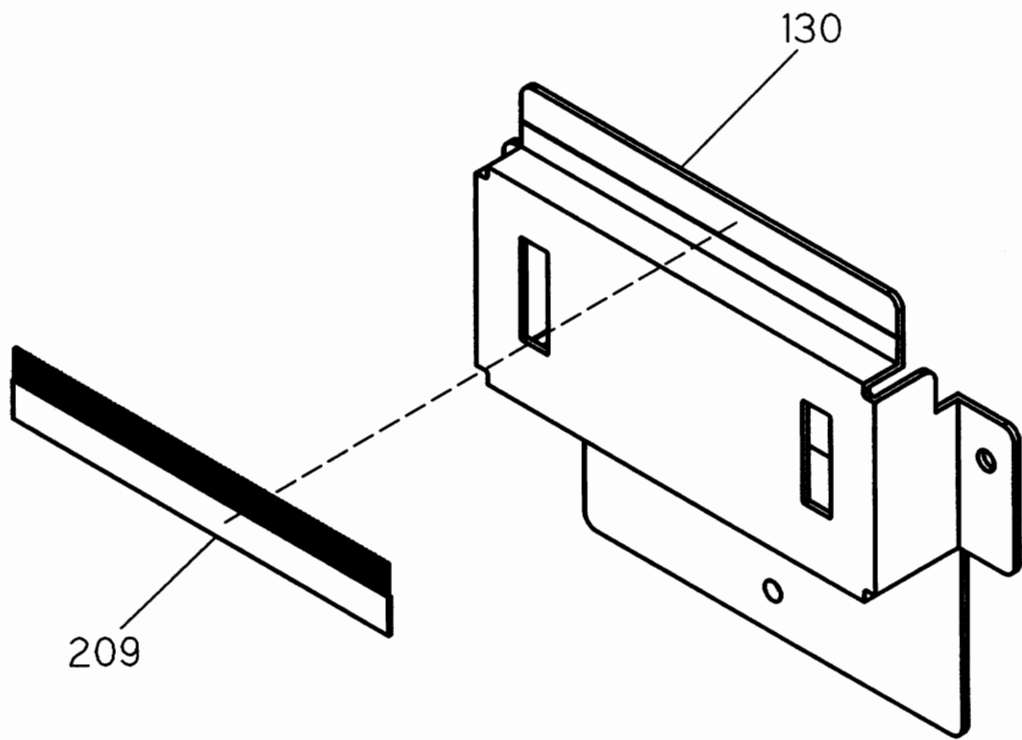


K15

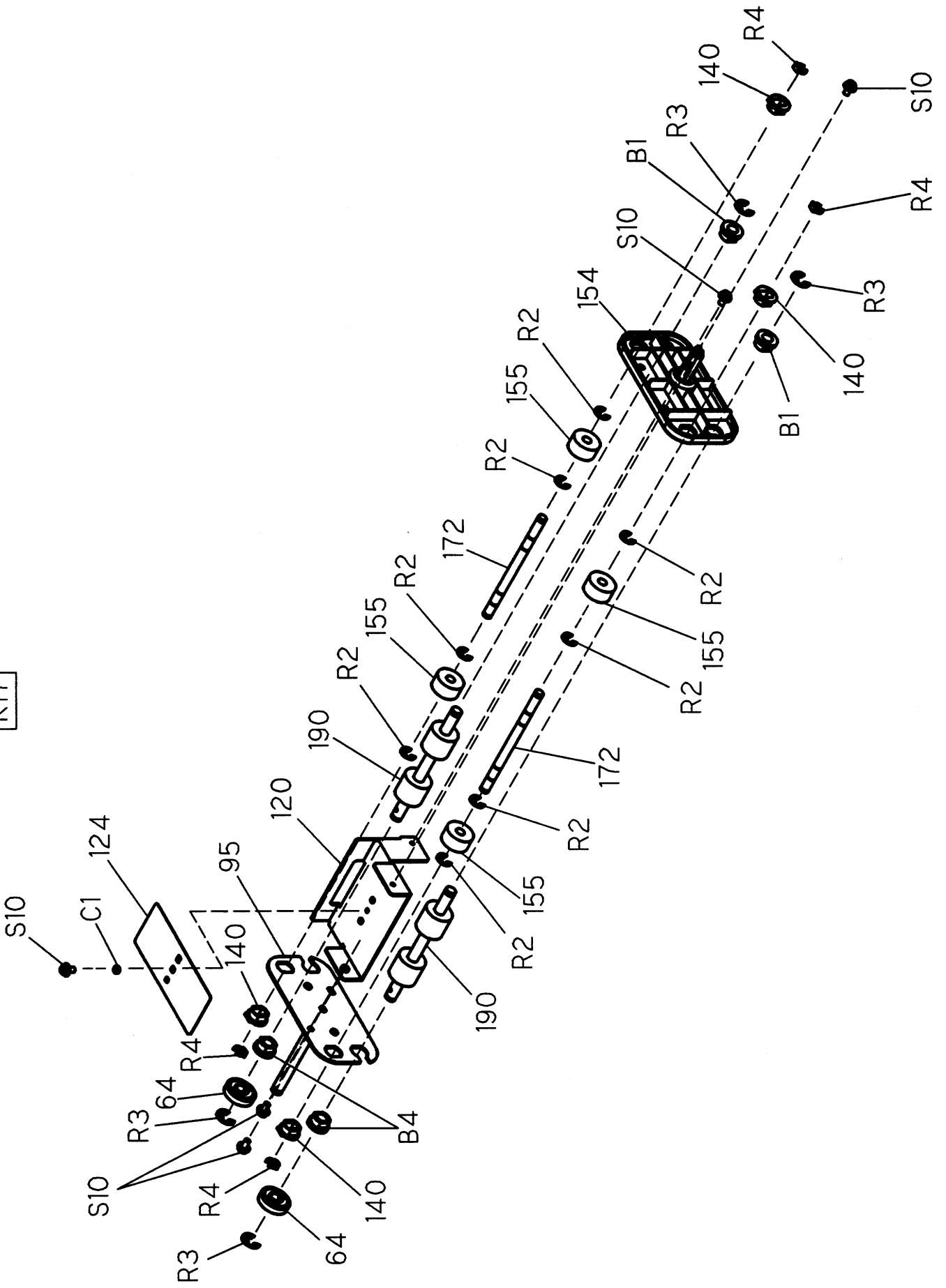




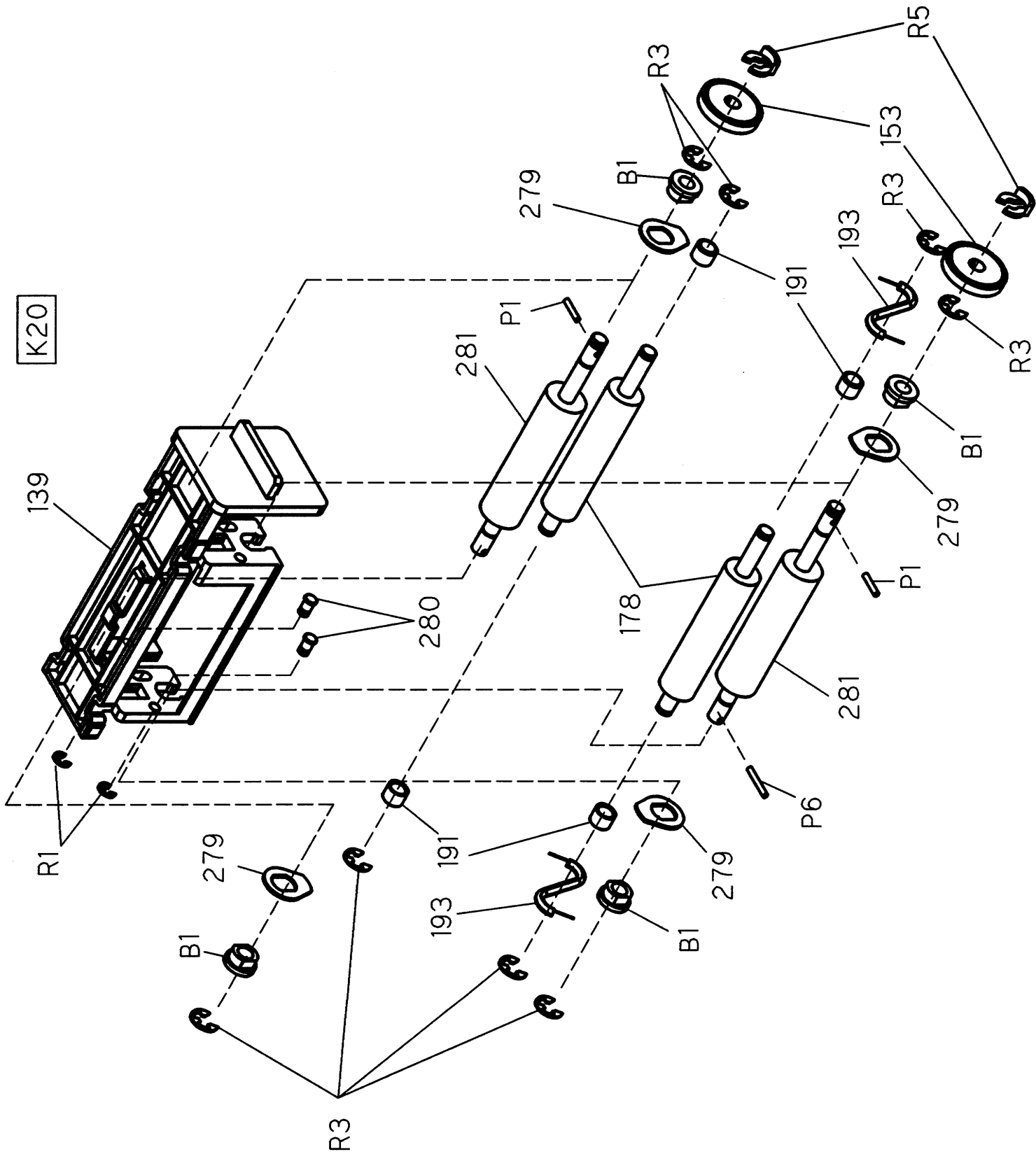
K16



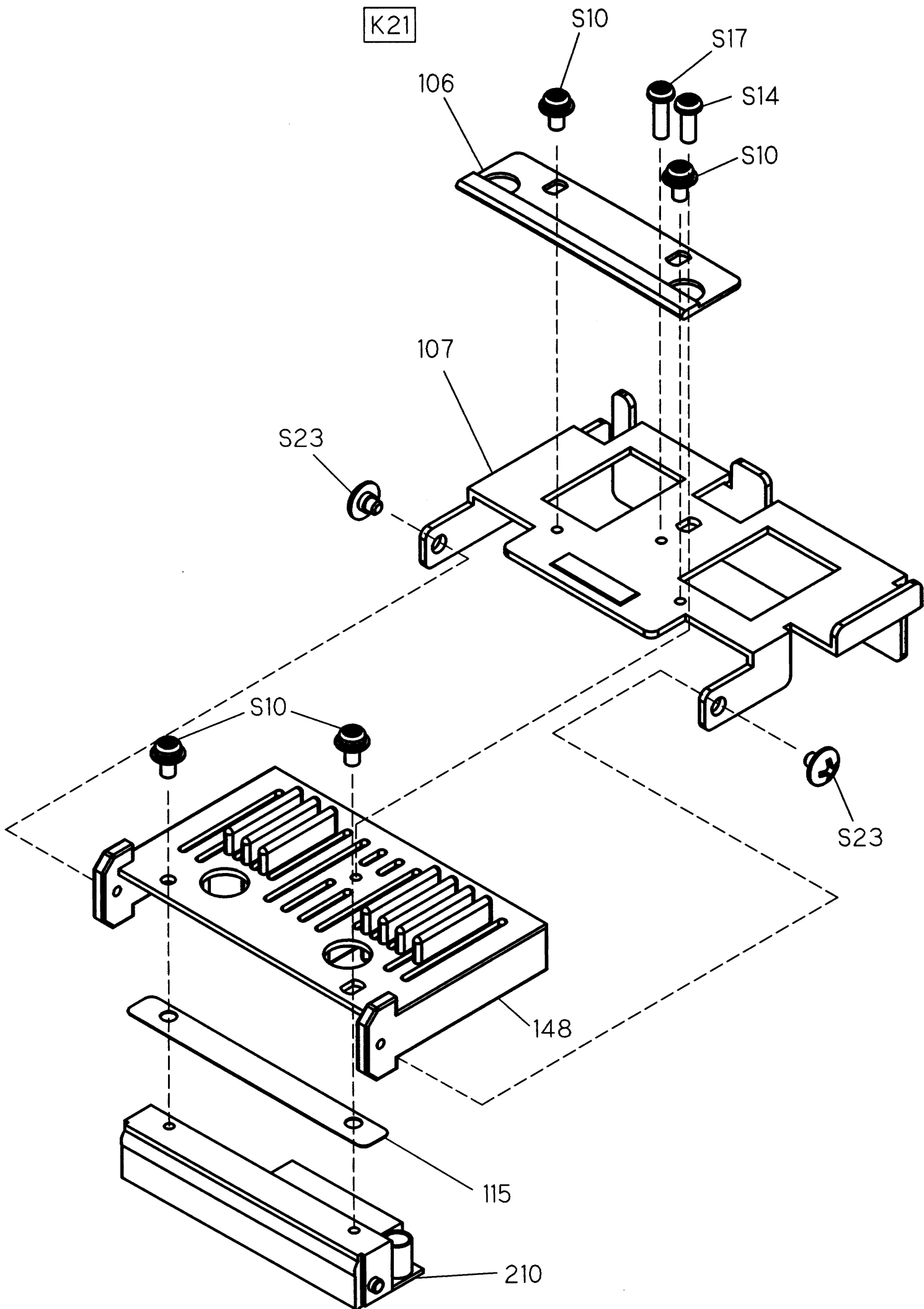
K17



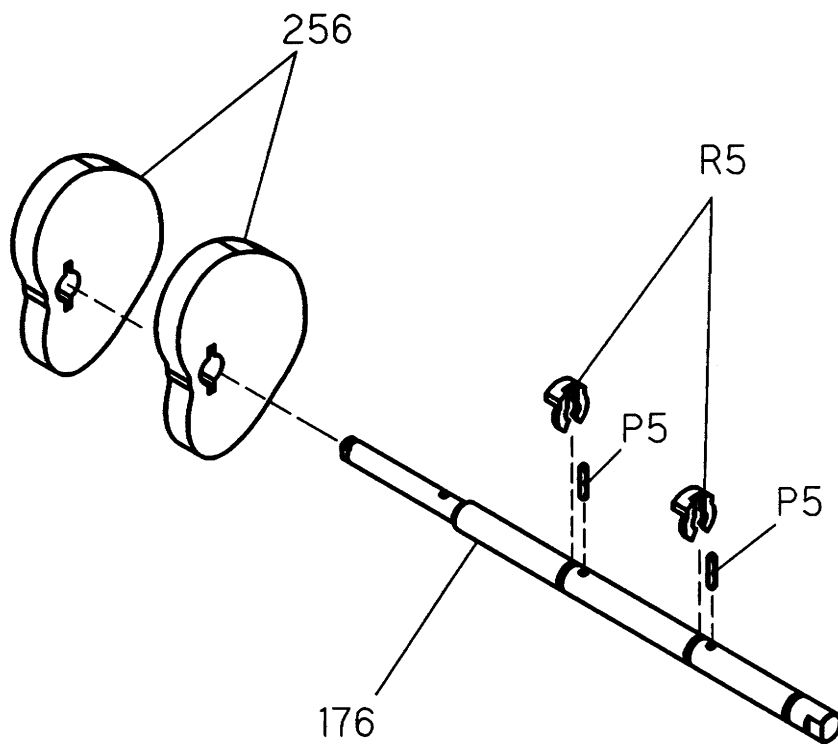
K20



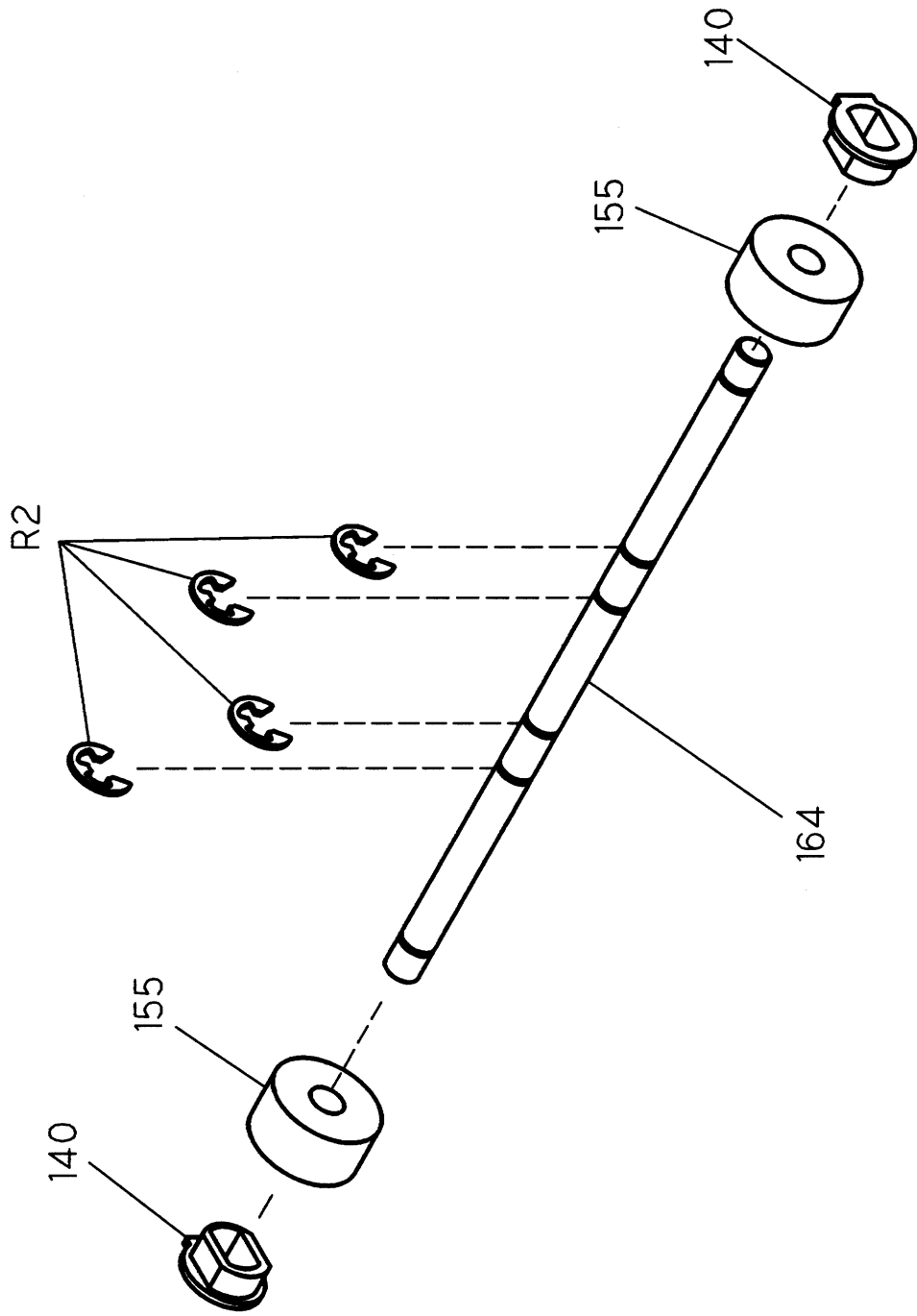
K21



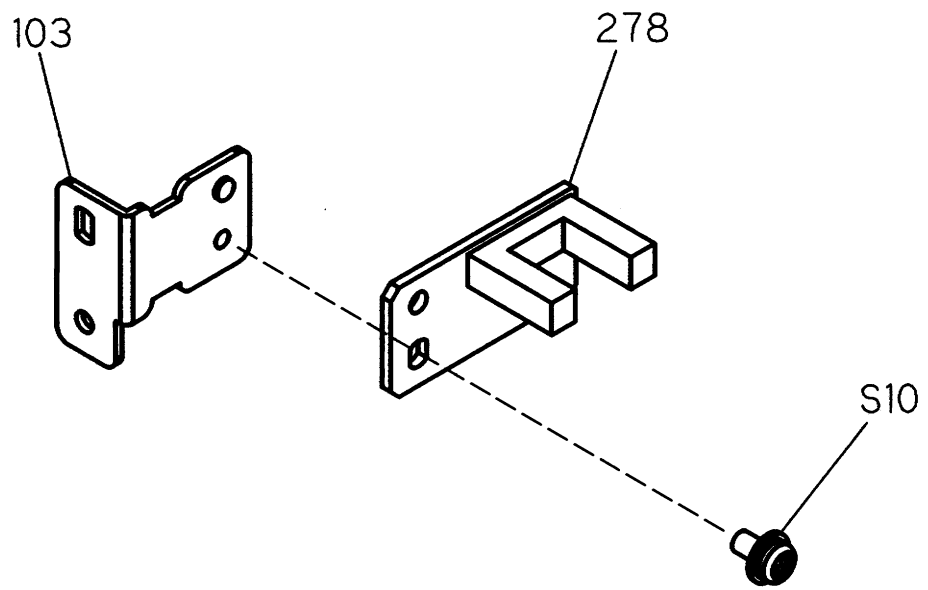
K23



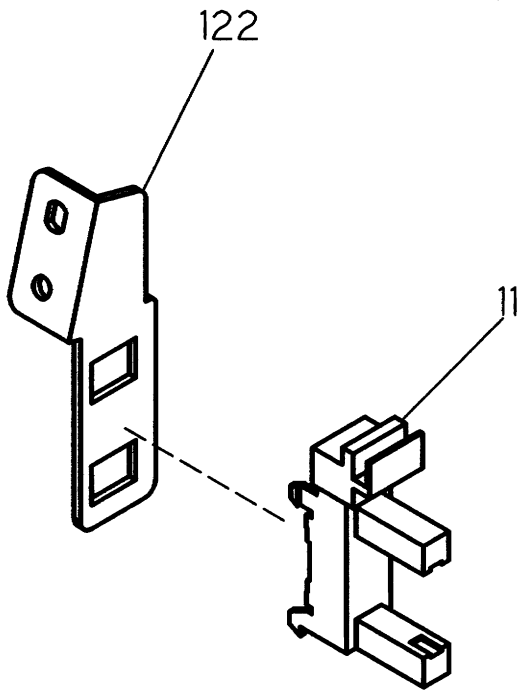
K24



K25

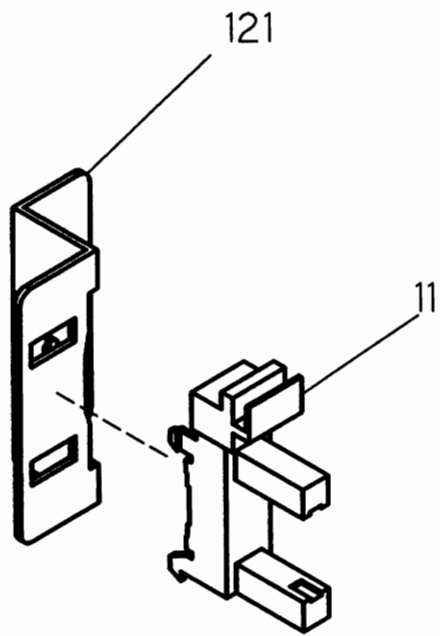


K26

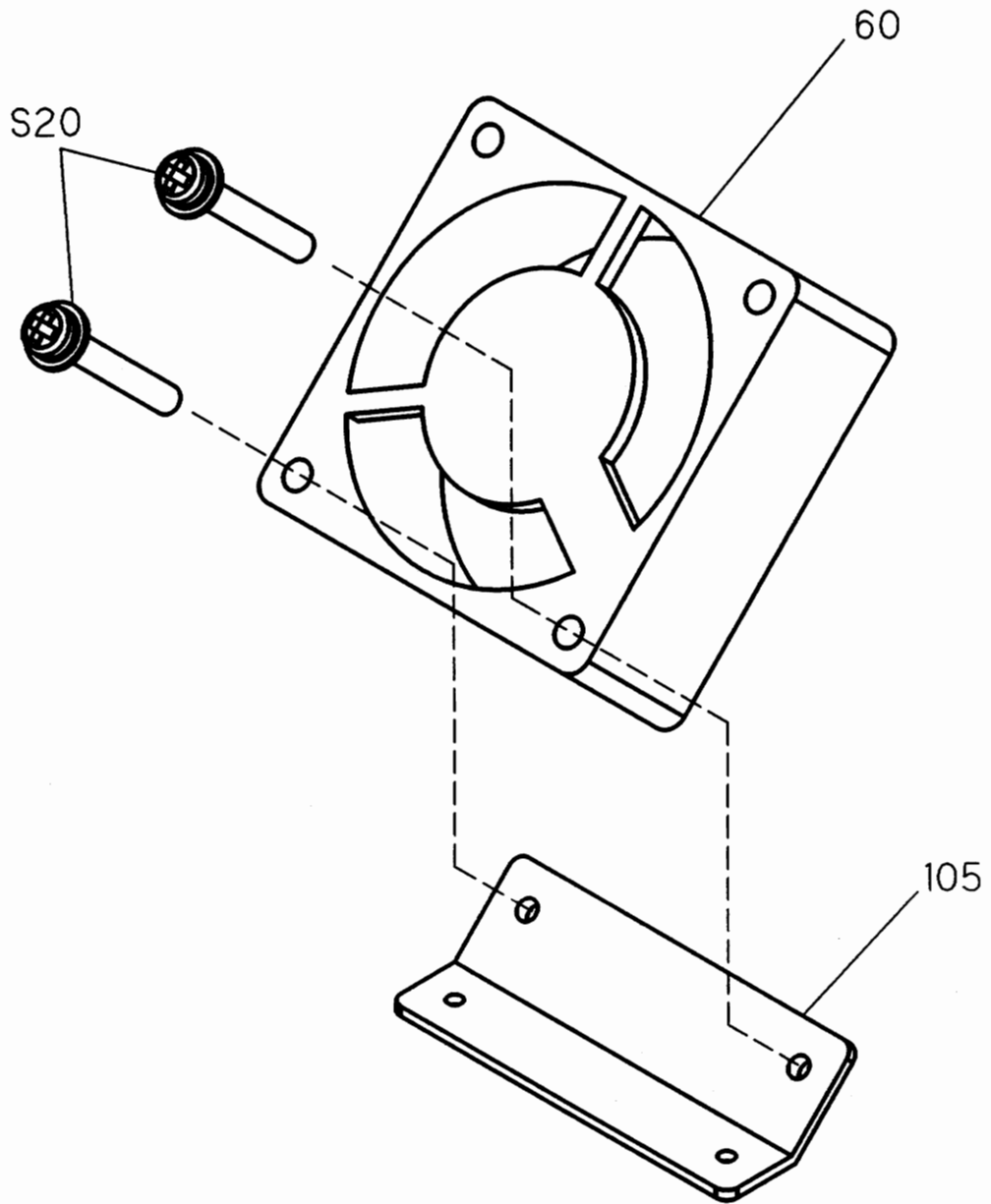




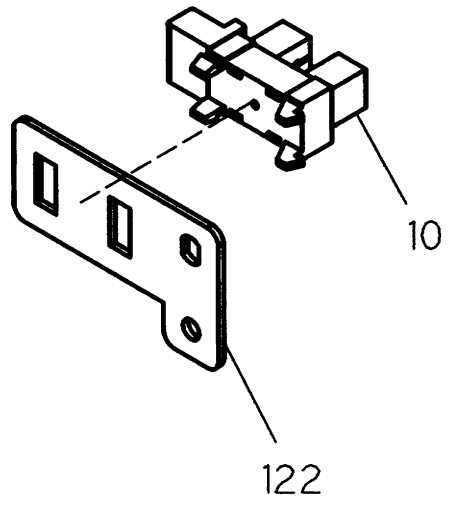
K27



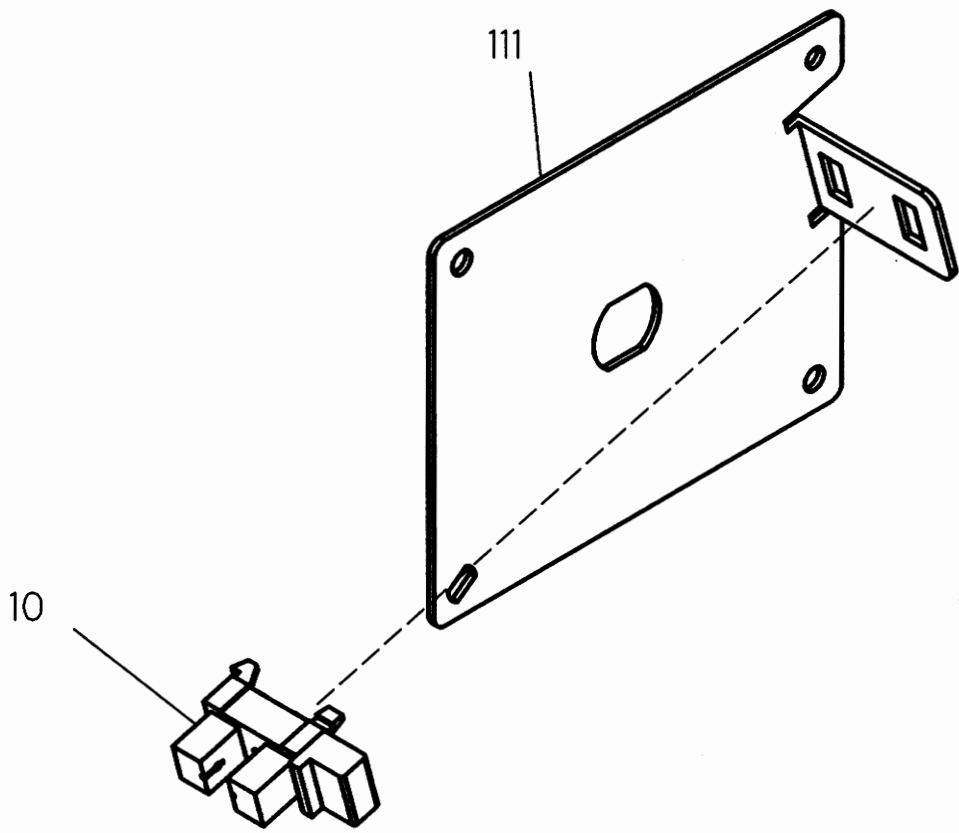
K28



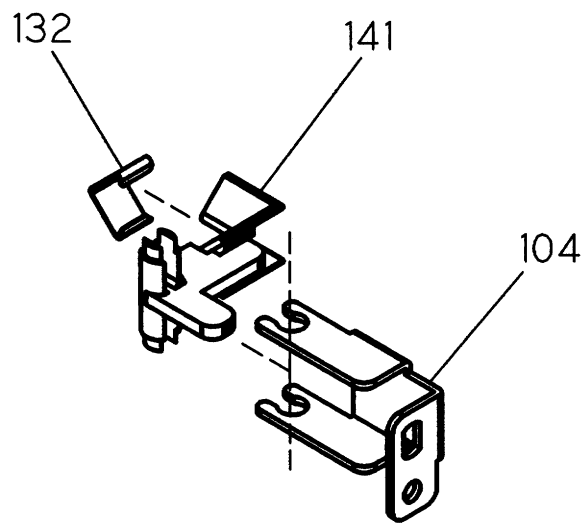
K29



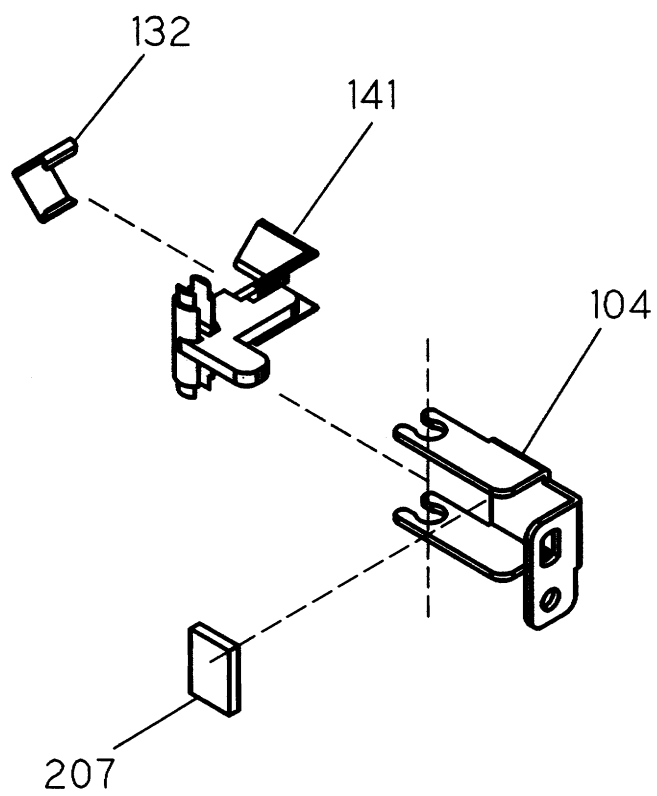
K30



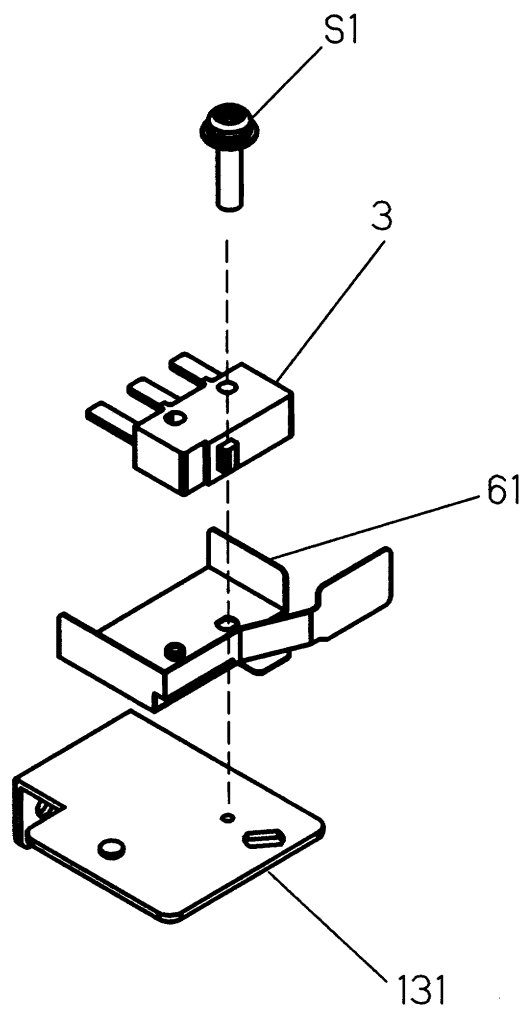
K31



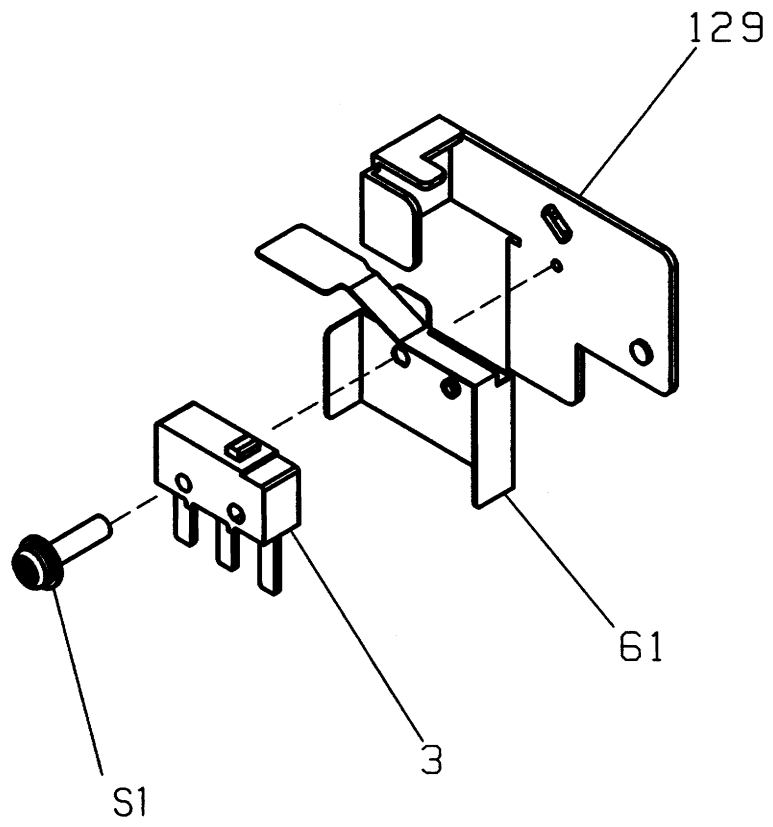
K32



K33

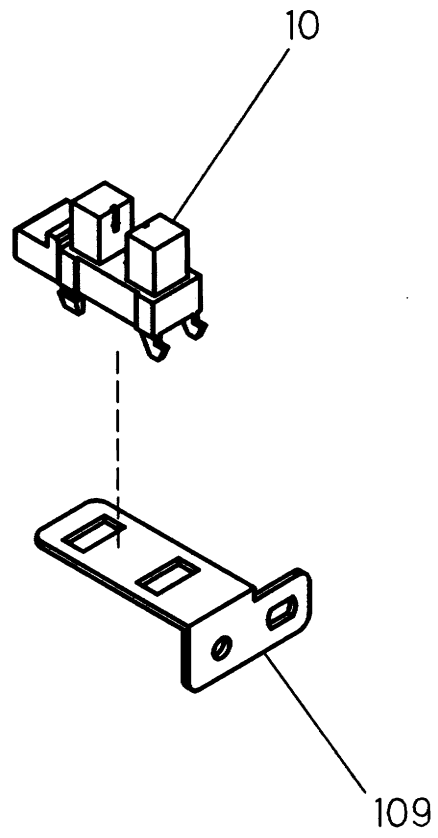


K34

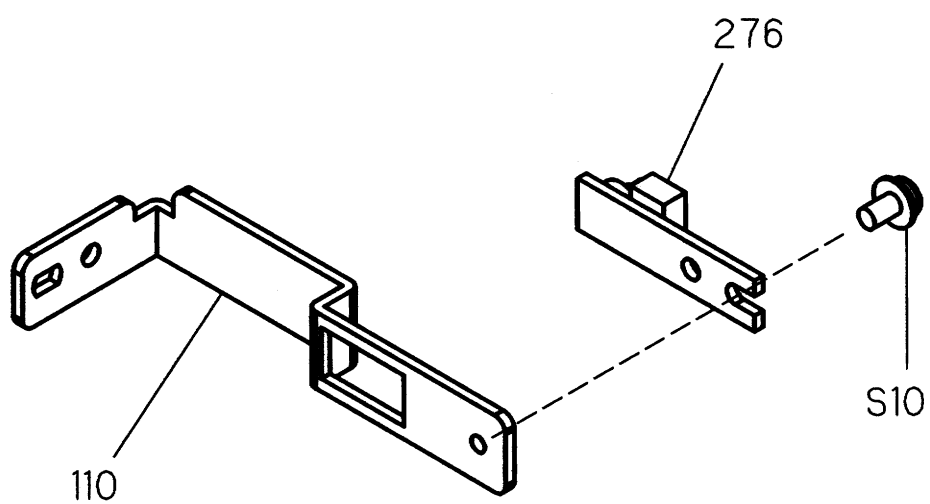


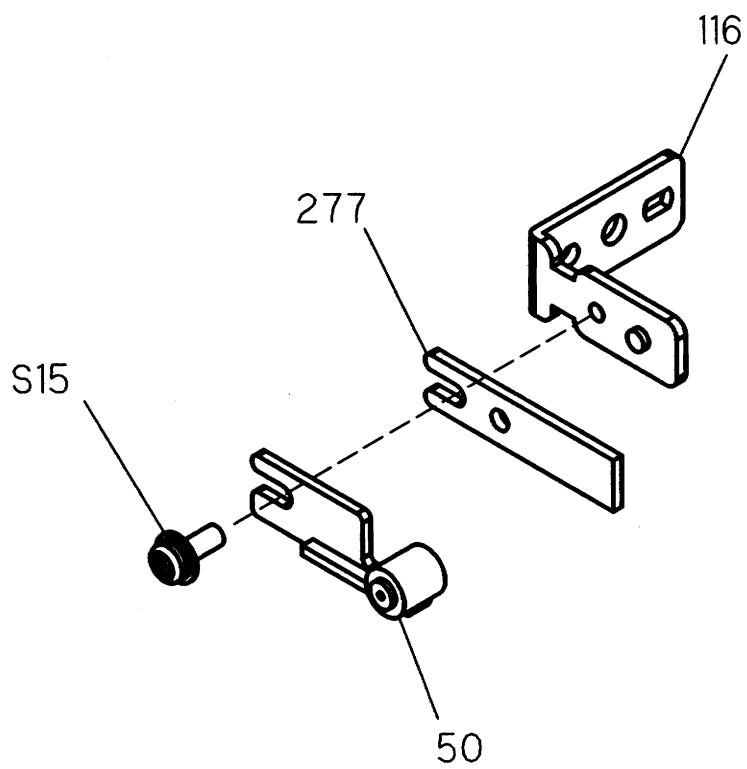


K35

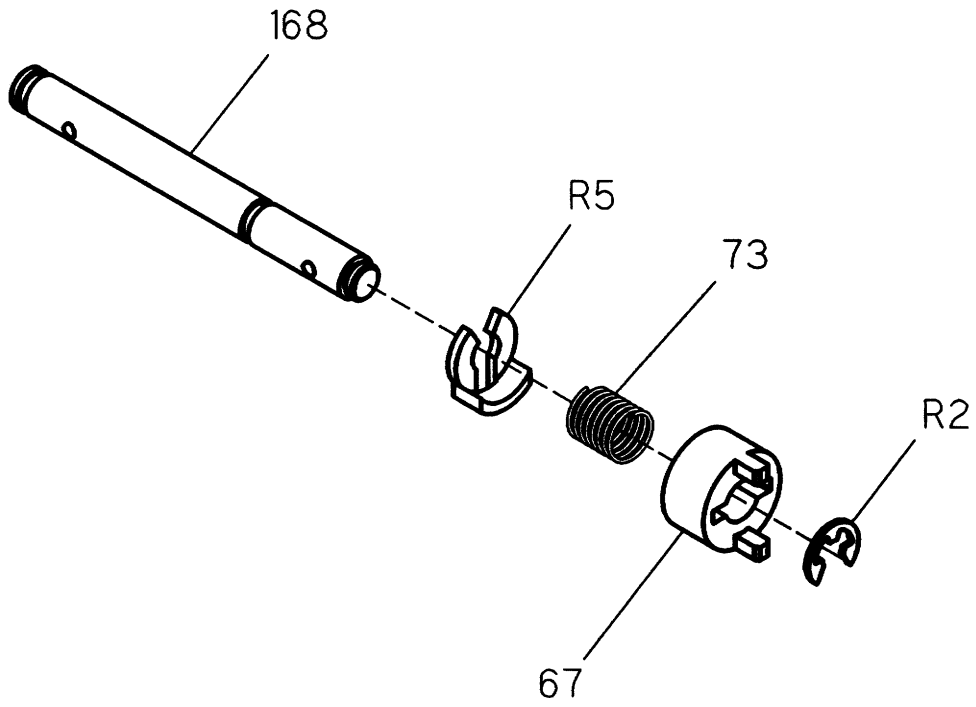


K36

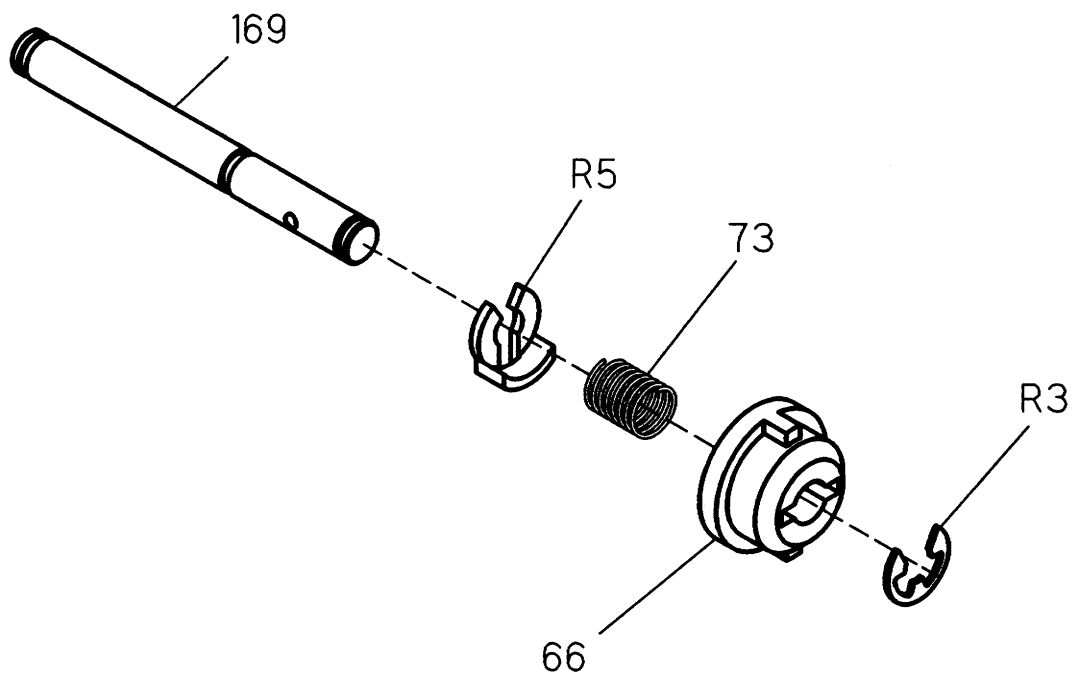




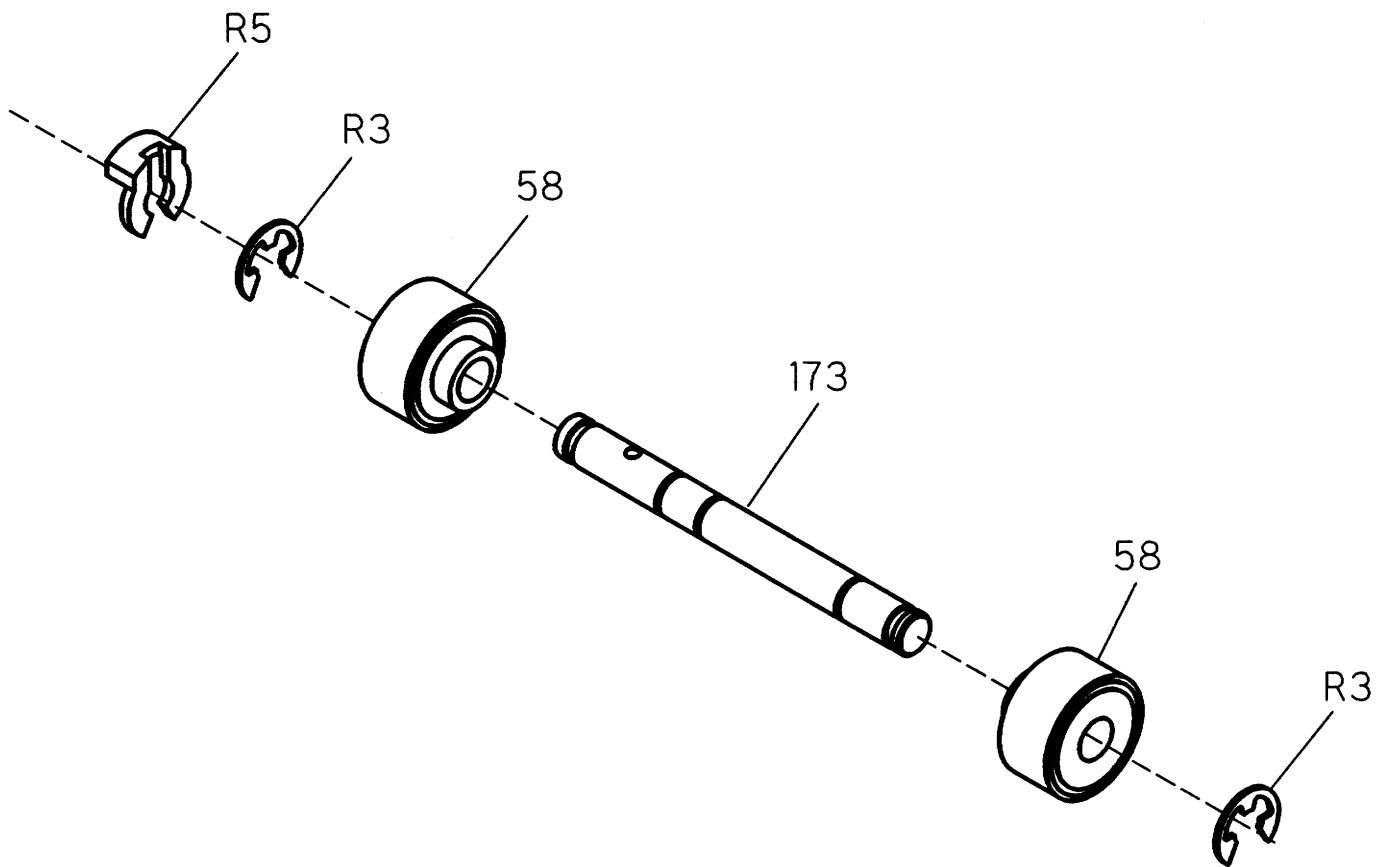
K39



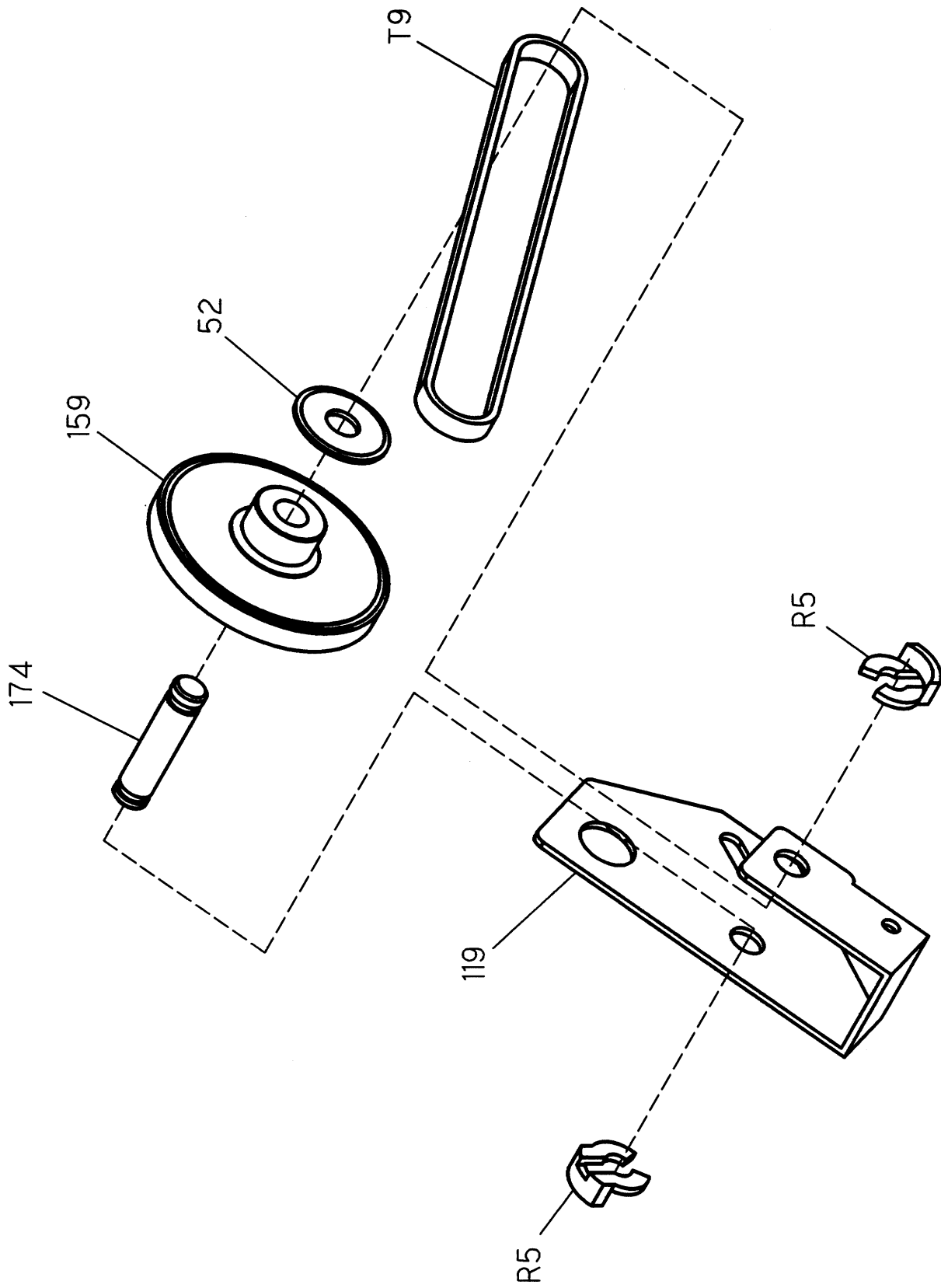
K40



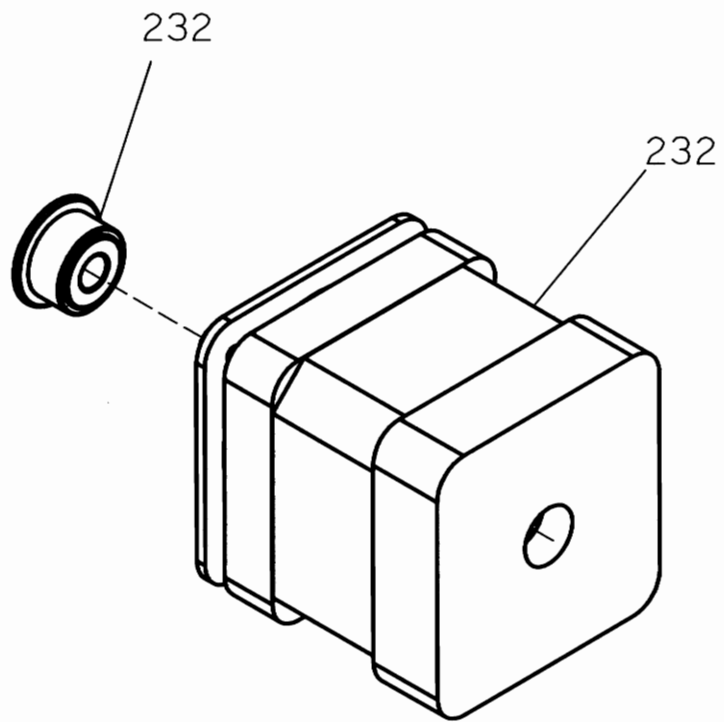
K41



K42

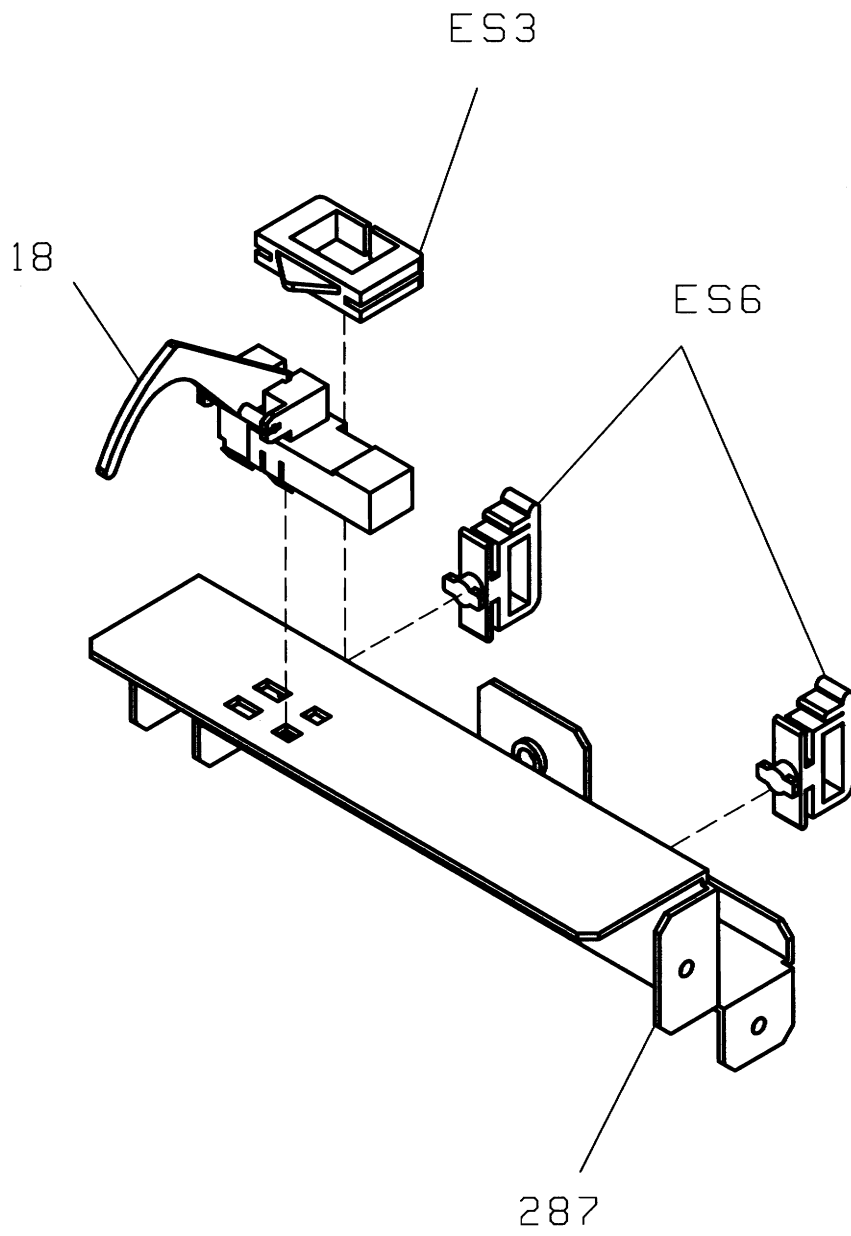


K43

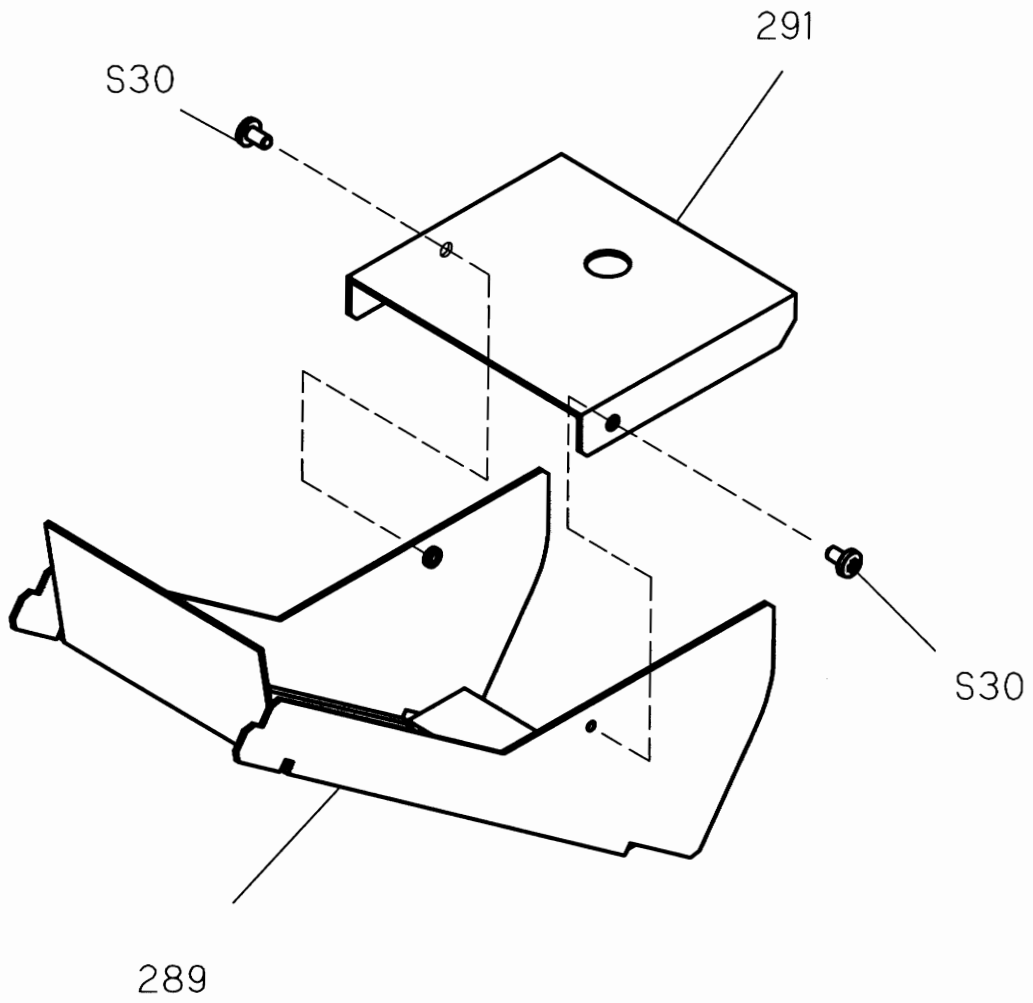




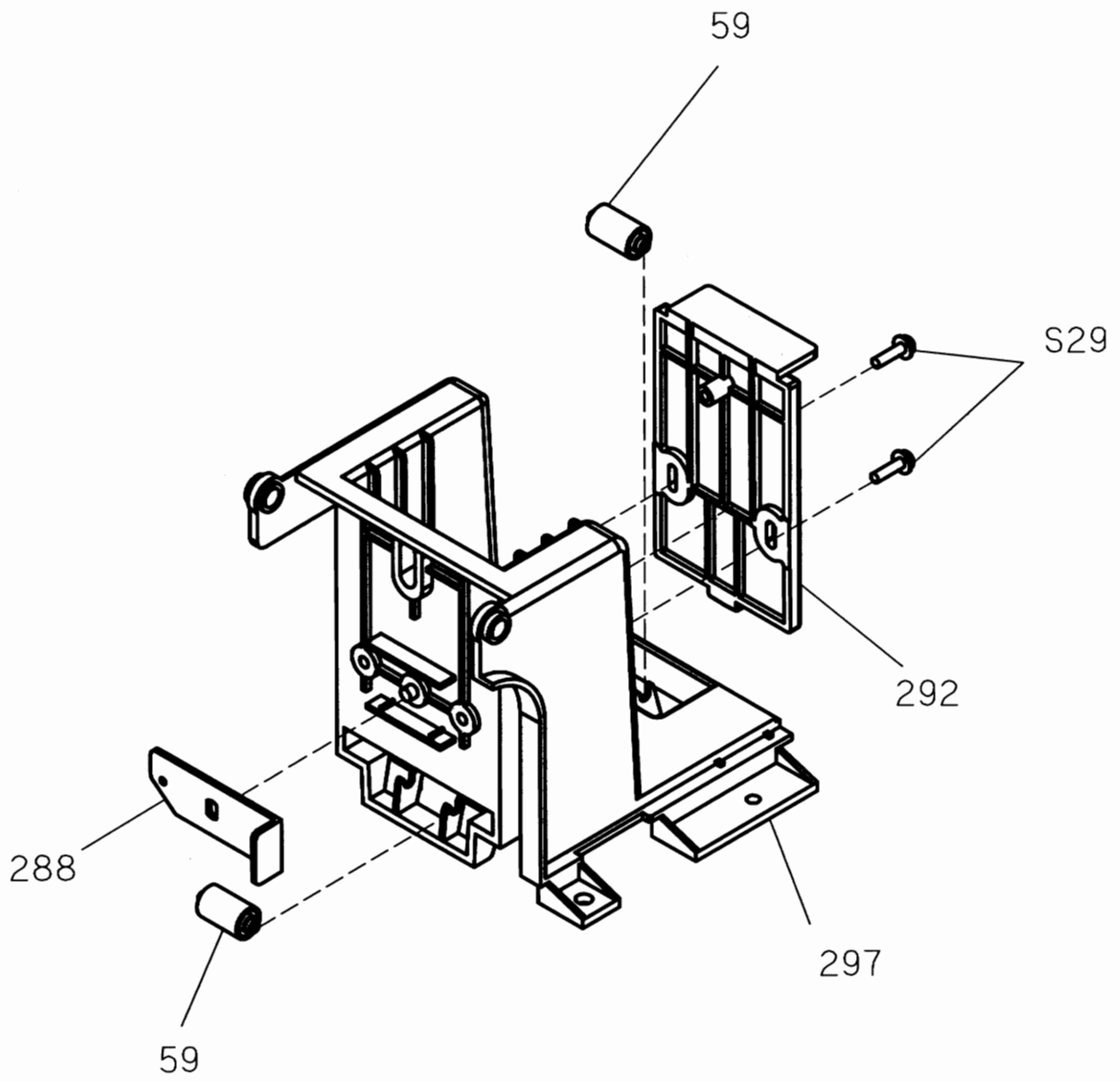
K45



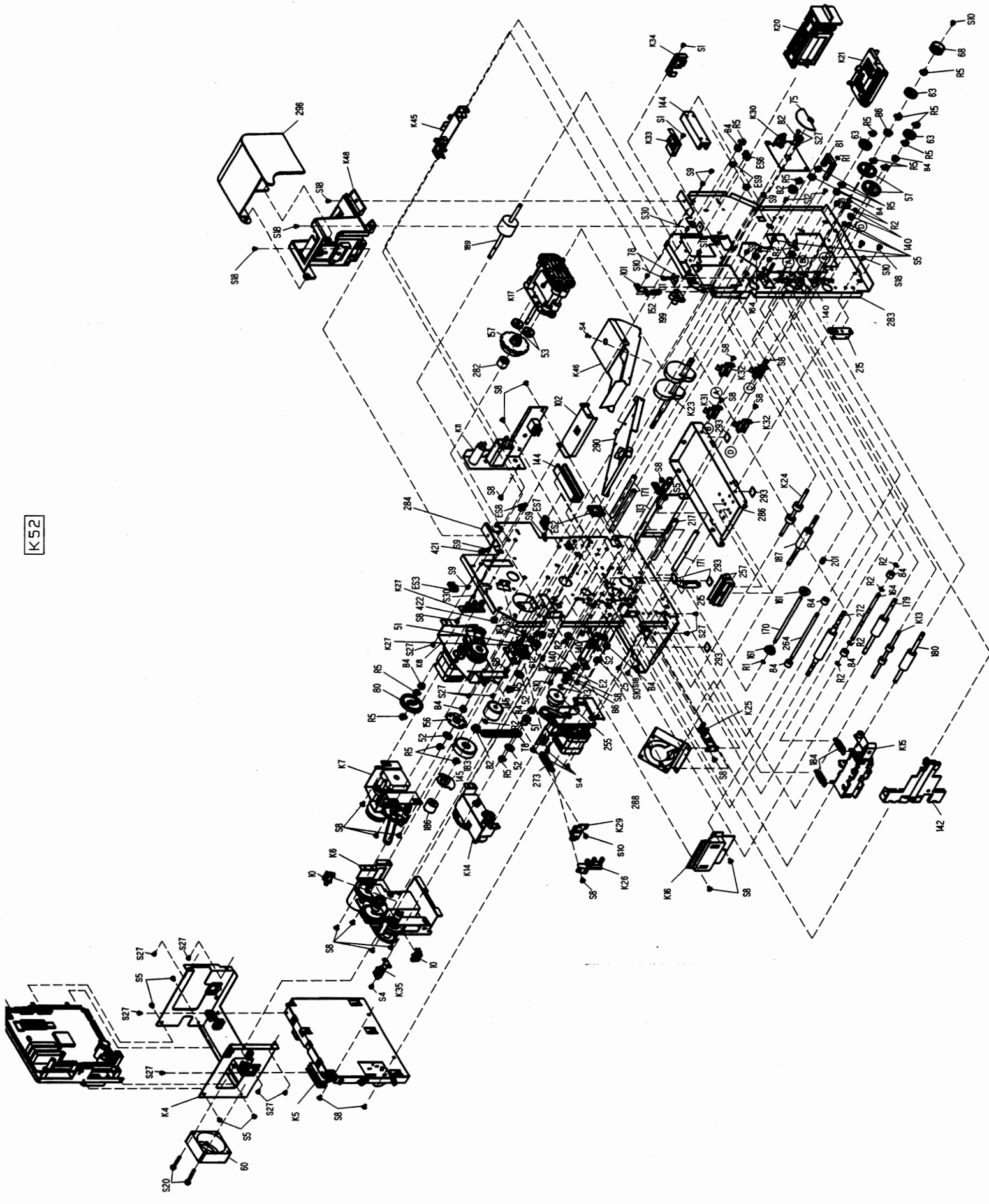
K46



K48



K52



K53

